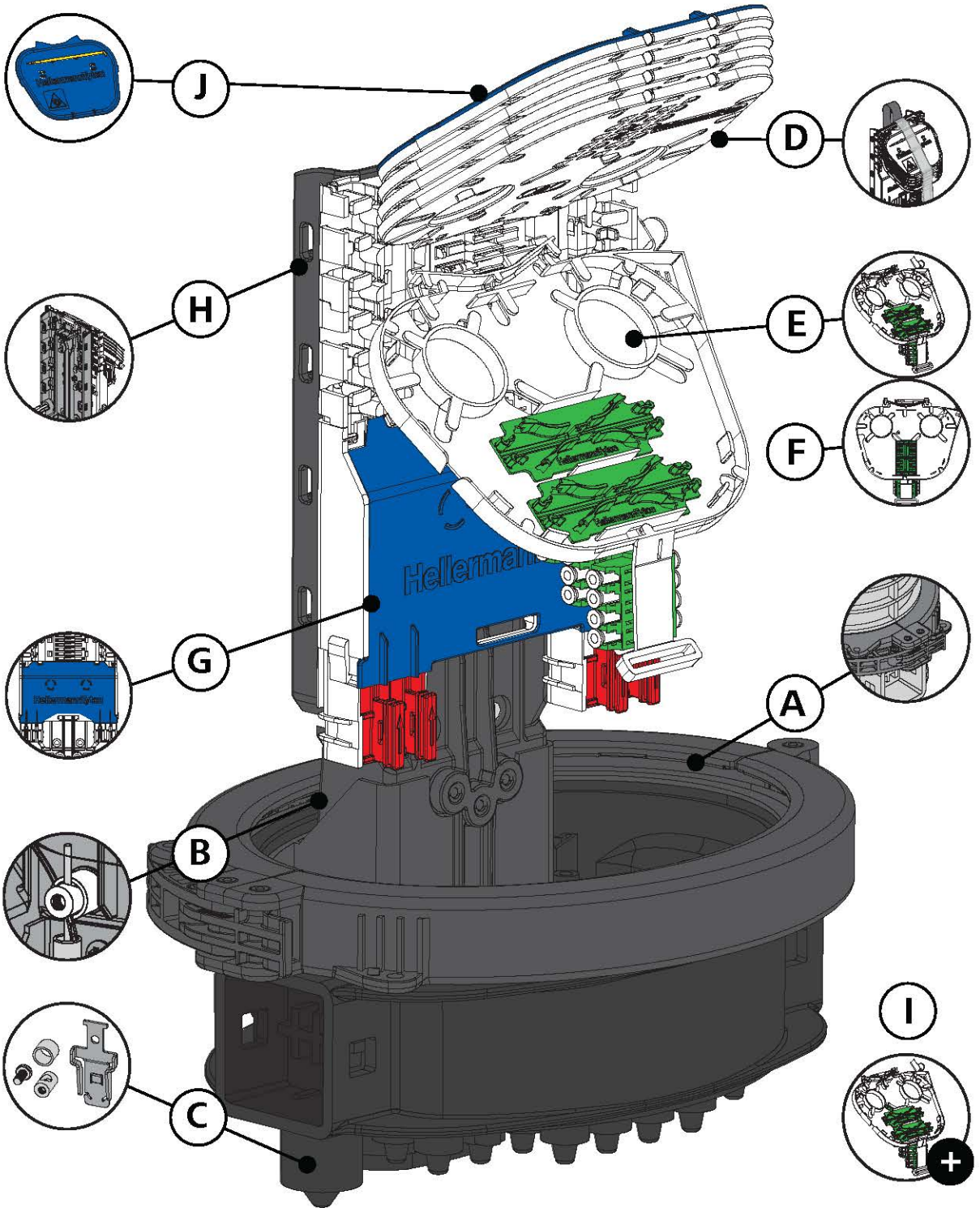


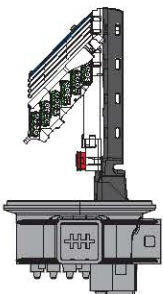


CFN Connectorised

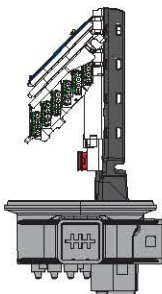


S-Length Closures

SC-B Trays
LC

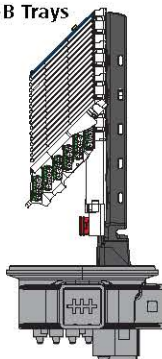


SE-IR Trays
LC

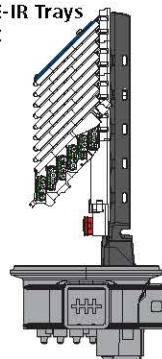


M-Length Closures

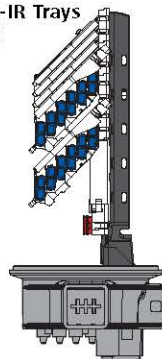
SC-B Trays
LC



SE-IR Trays
LC

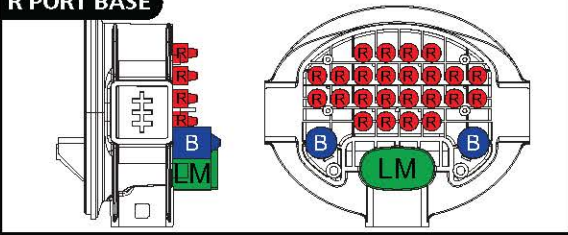


SE-IR Trays
SC



Base Information

R PORT BASE

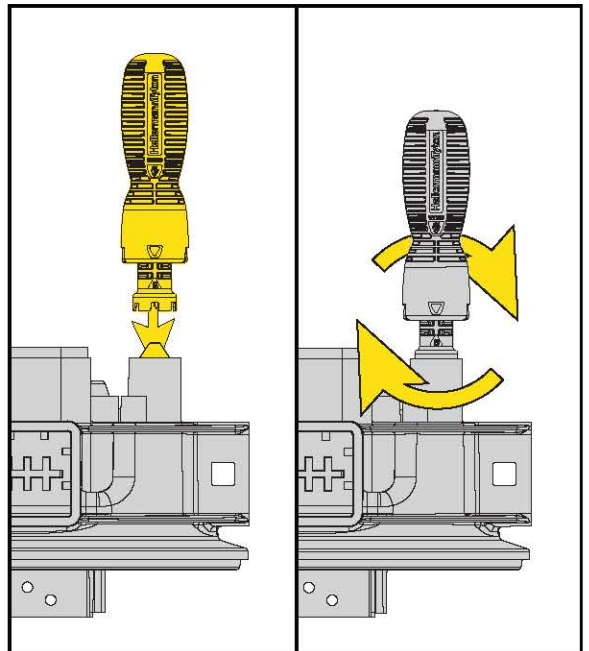
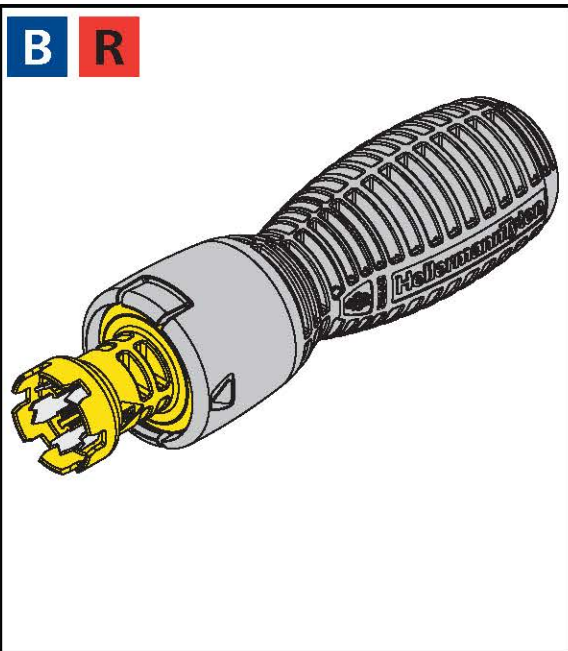
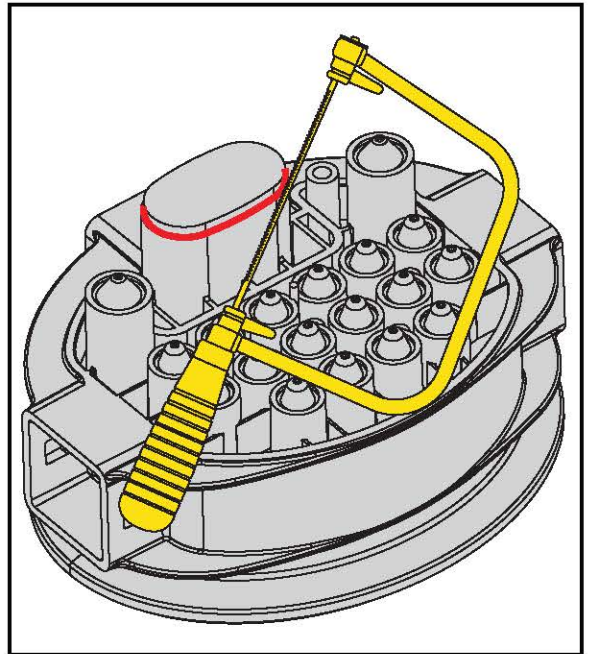
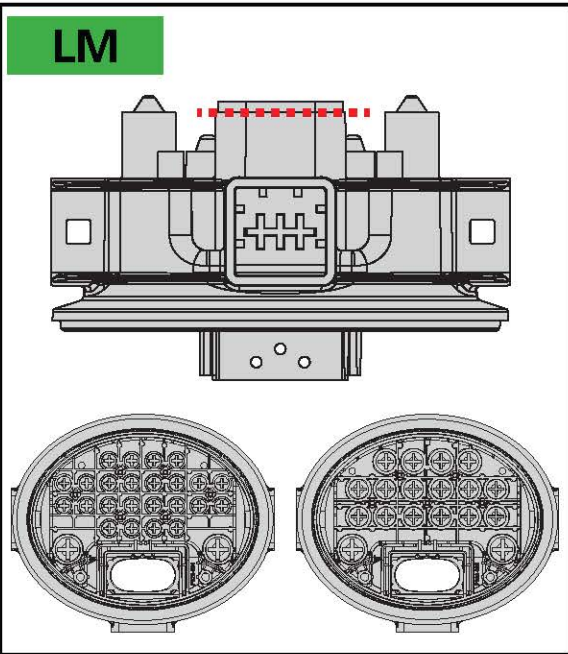
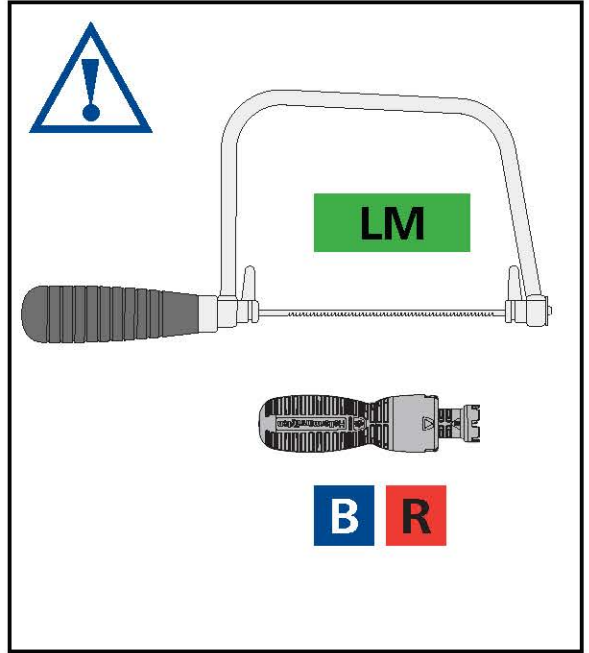


Port	Number of Ports	Cablelok		Heatshrink	
		Ø mm	Ø inches	Ø mm	Ø inches
LM	1	2 x 4.0 - 15.0	2 x 0.16 - 0.59	2 x 8.0 - 22.0	2 x 0.32 - 0.87
B	2	4.8 - 16.5	0.19 - 0.65	6.0 - 19.0	0.24 - 0.75
R	24	1.7 - 9.5	0.07 - 0.37	-	-

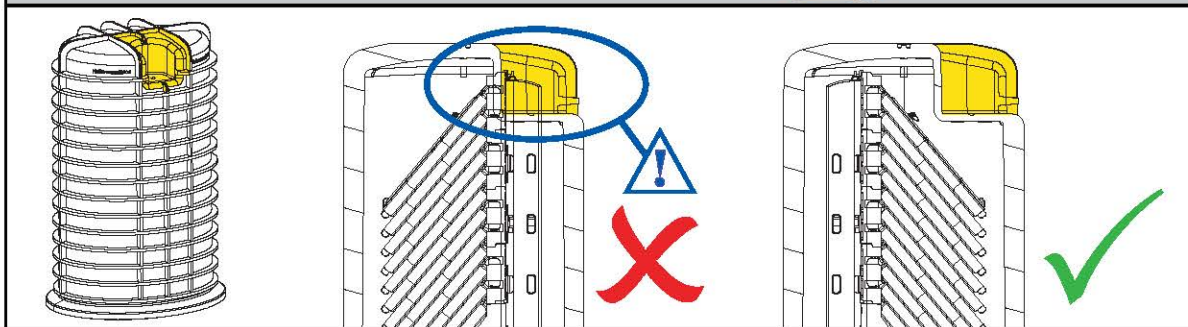
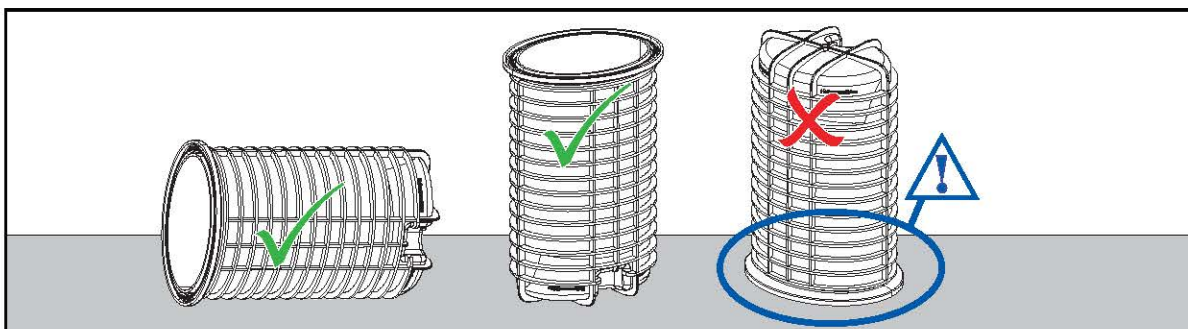
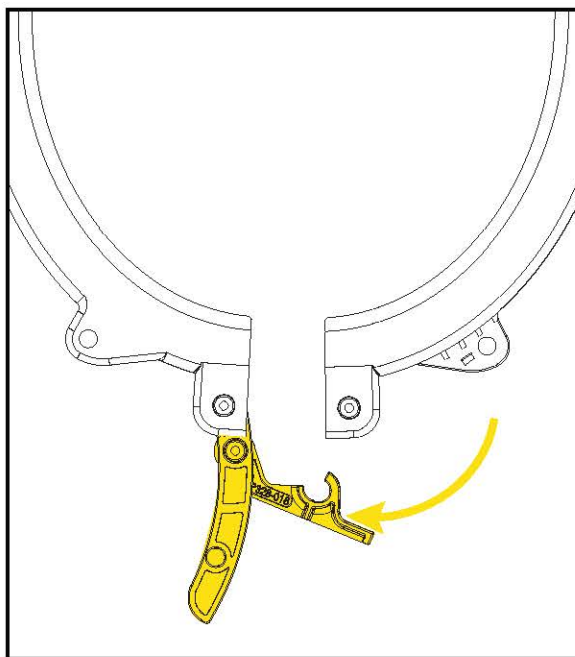
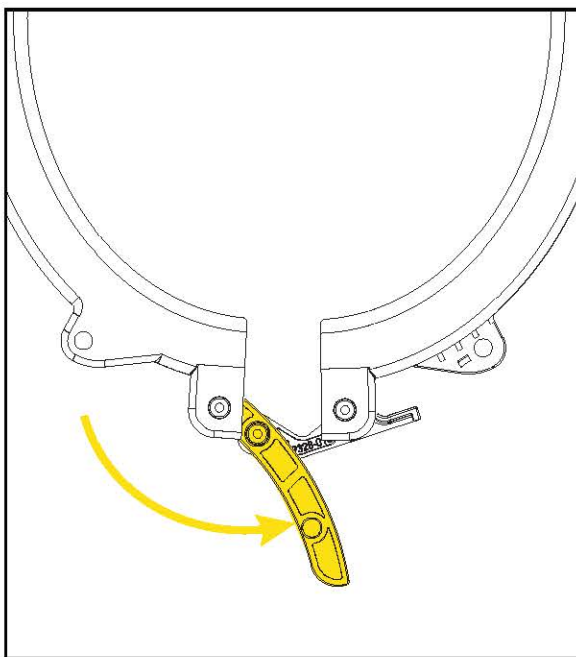
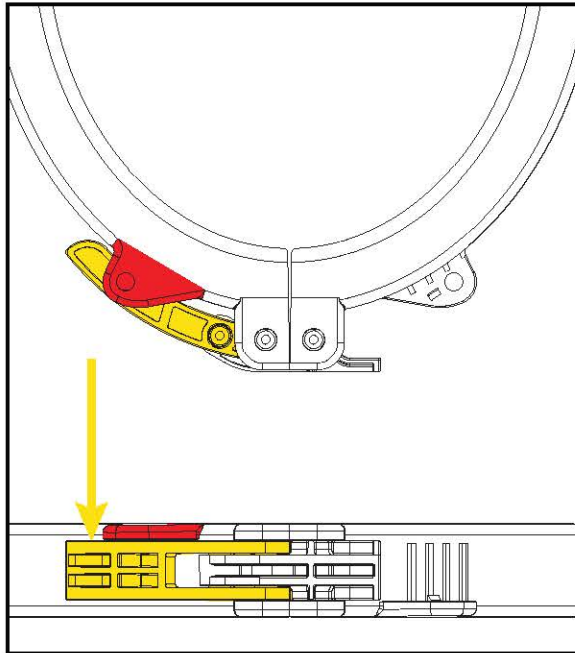
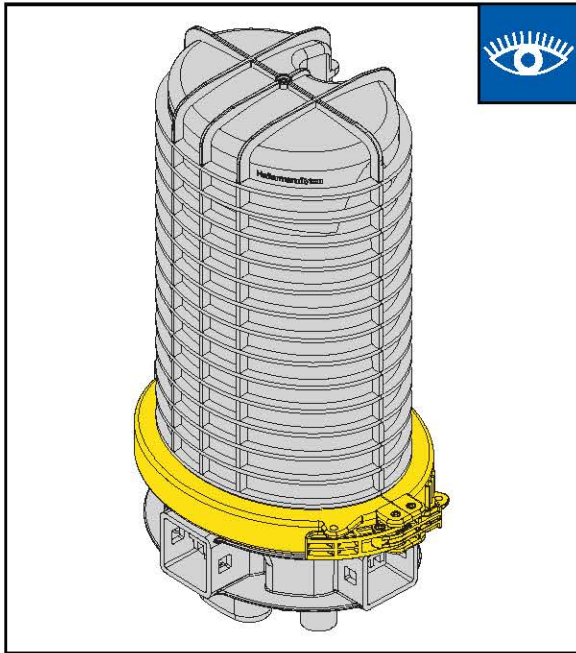
Ø (mm)	Ø (inches)	Cablelok
2 x 4.0 - 6.5	2 x 0.16 - 0.26	LM10C
2 x 6.0 - 9.5	2 x 0.24 - 0.37	LM20C
2 x 9.0 - 12.5	2 x 0.35 - 0.49	LM30C
2 x 12.5 - 15.0	2 x 0.49 - 0.59	LM40C

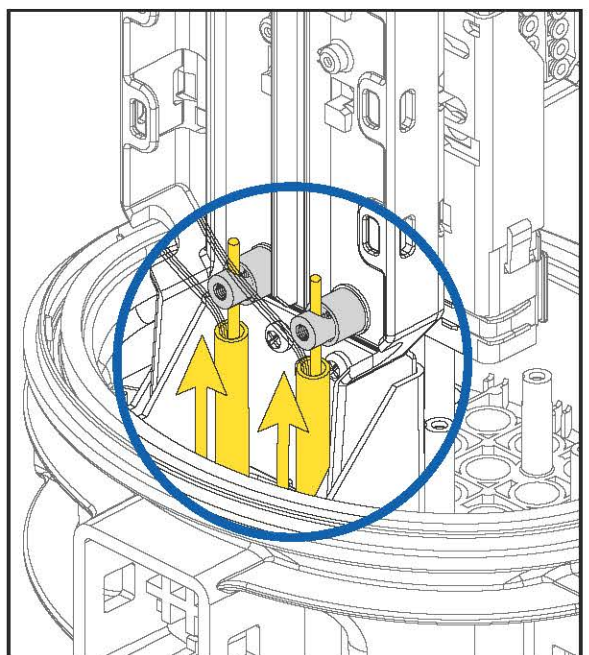
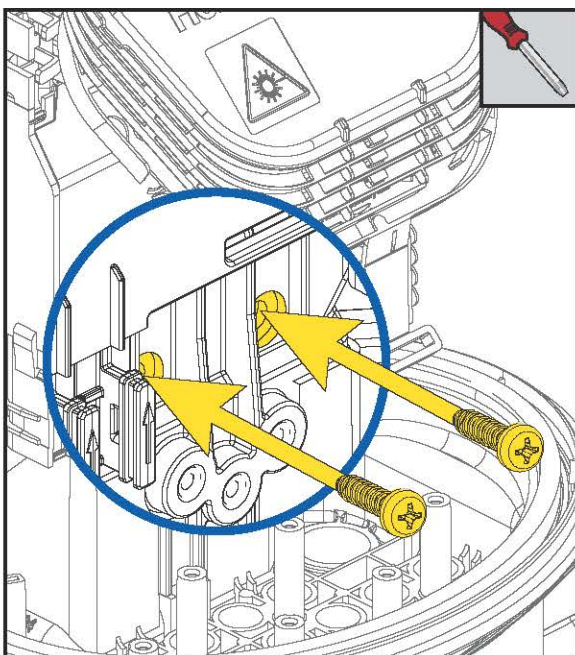
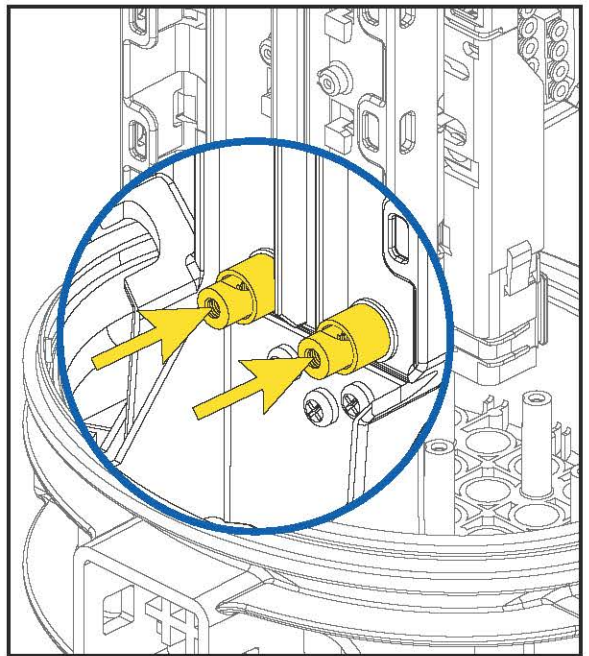
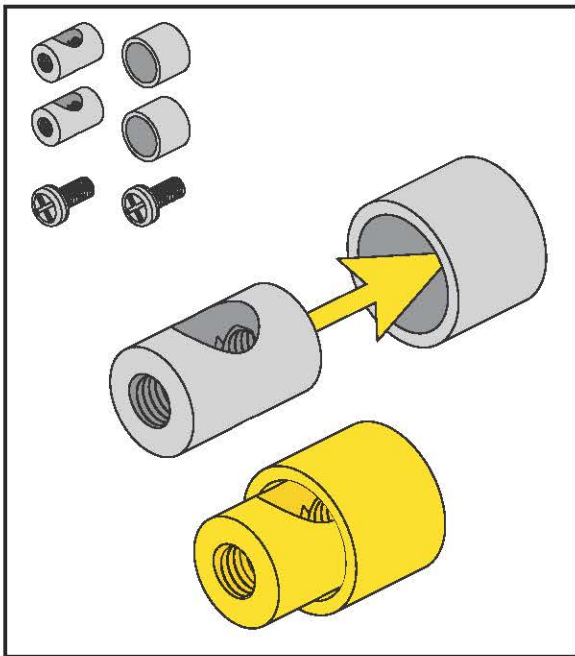
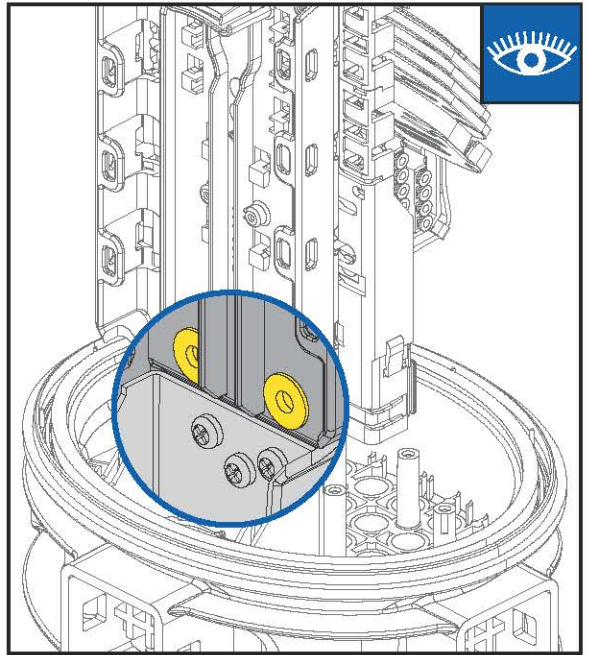
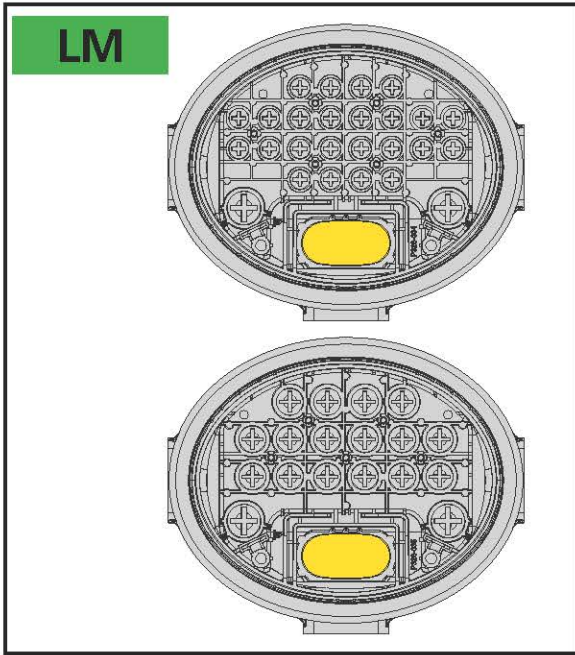
Ø (mm)	Ø (inches)	Cablelok
1.7 - 2.0	0.07 - 0.079	R10
2 x 1.7 - 2.0	2 x 0.07 - 0.079	R10D
2.0 - 3.0	0.07 - 0.119	R15
3.0 - 3.8	0.119 - 0.15	R20
2 x 3.8 - 4.8	2 x 0.15 - 0.19	R30D
3.8 - 5.2	0.19 - 0.20	R40
5.2 - 8.0	0.20 - 0.32	R50
6.0 - 8.5	0.24 - 0.34	R70
8.0 - 9.5	0.32 - 0.37	R80

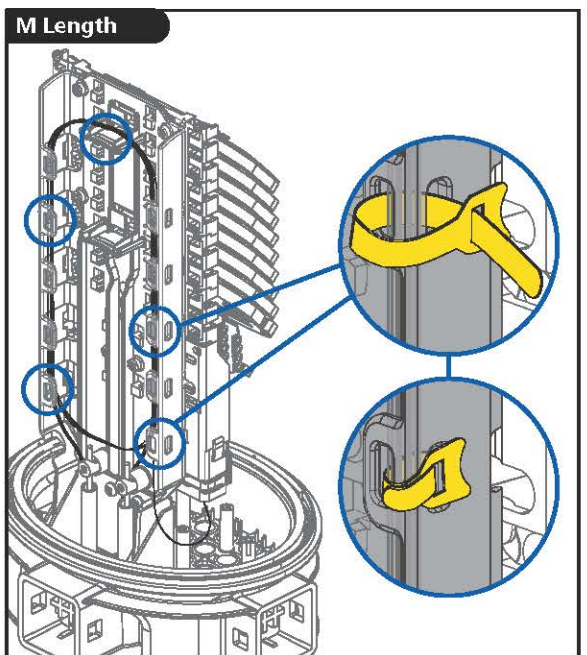
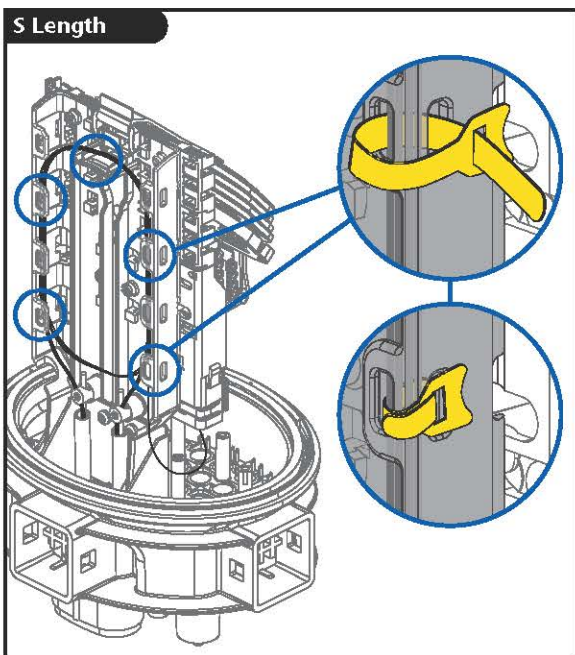
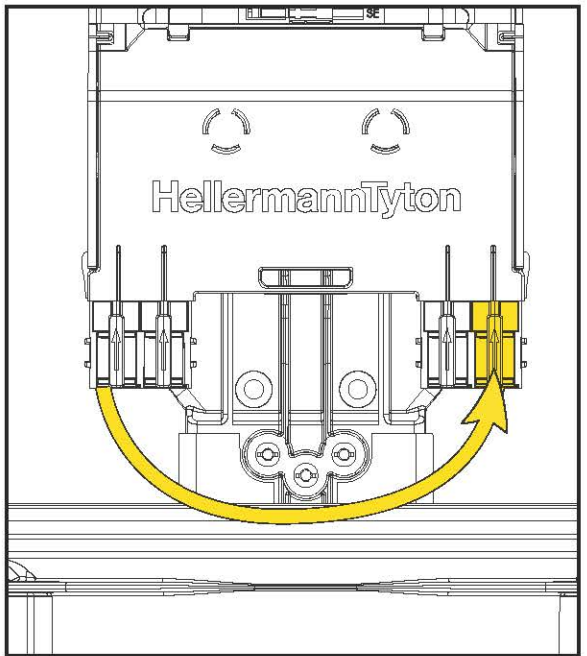
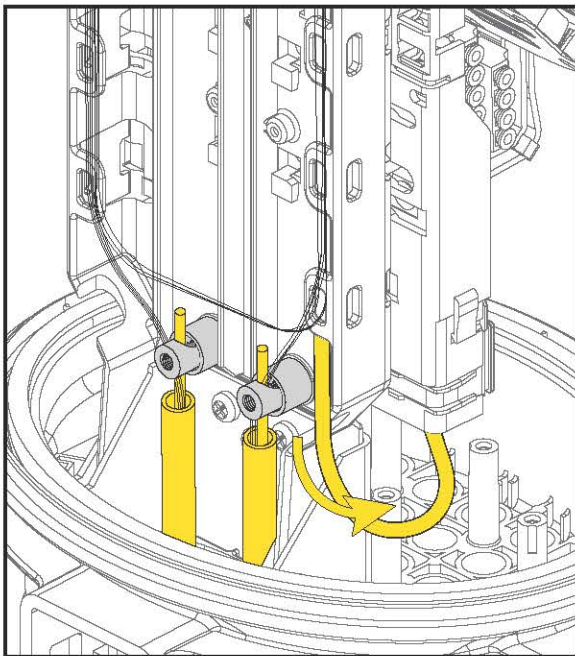
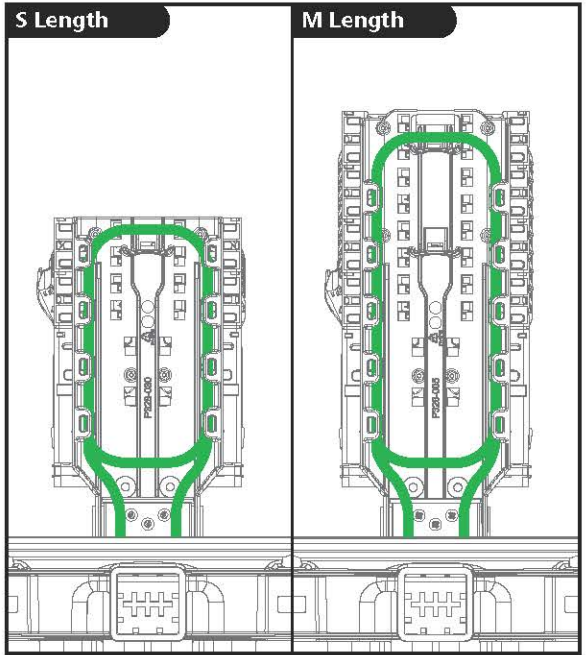
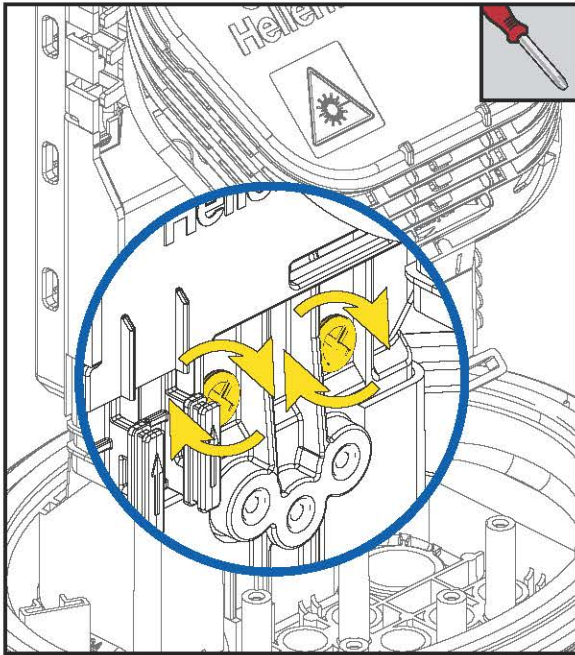
Ø (mm)	Ø (inches)	Cablelok
4.8 - 9.0	0.19 - 0.35	B10
8.0 - 14.0	0.32 - 0.55	B20
13.0 - 16.5	0.51 - 0.65	B30

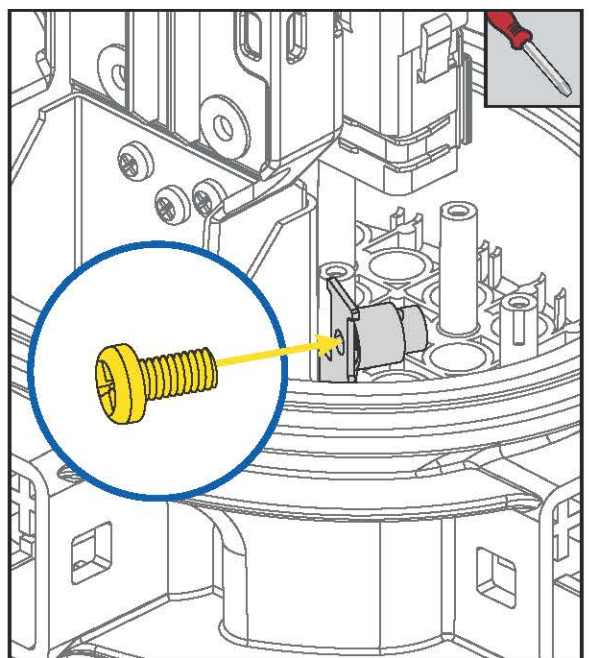
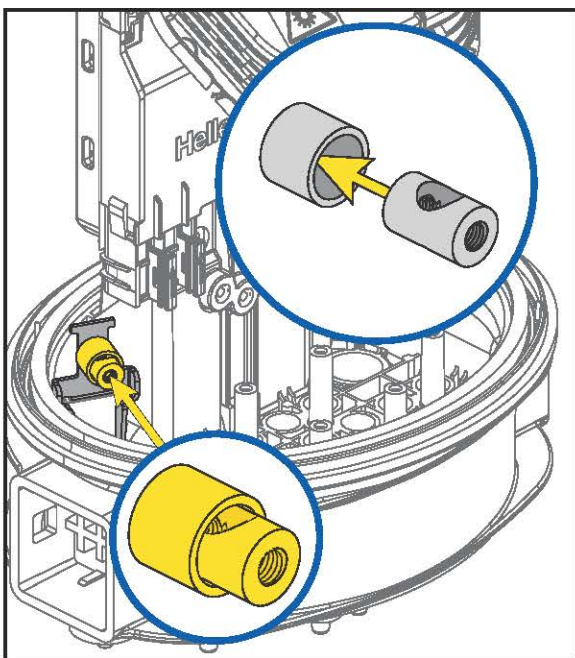
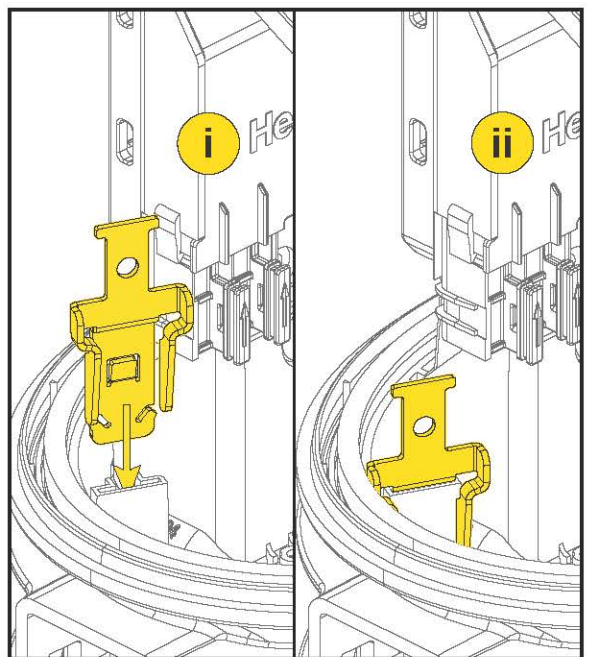
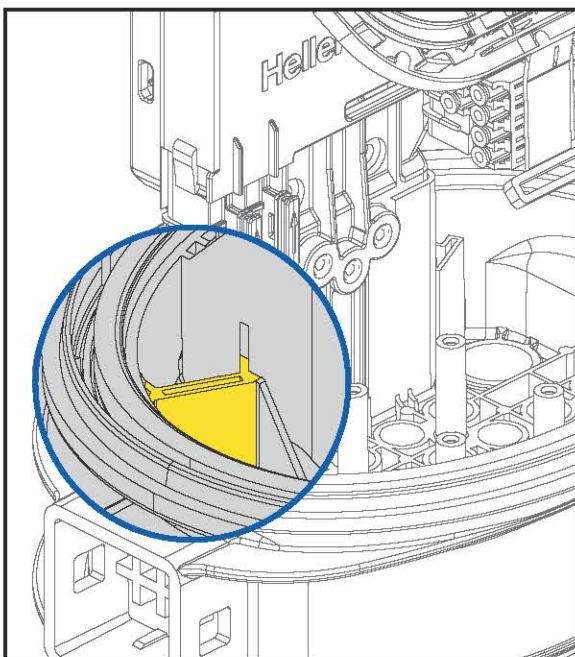
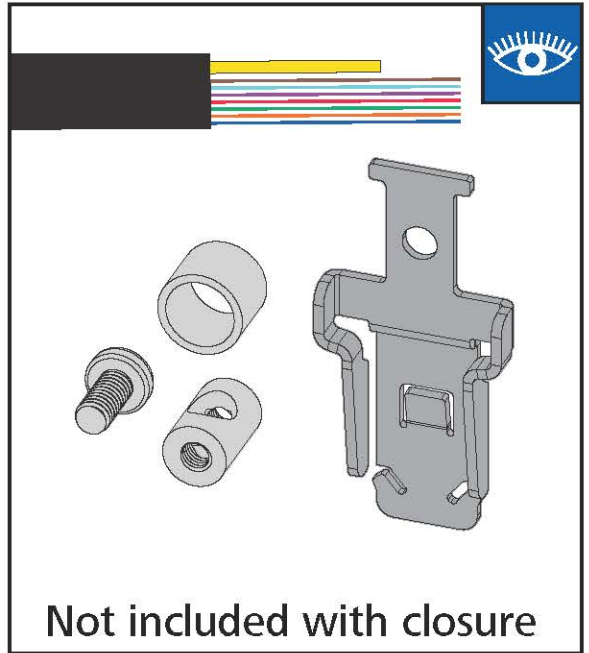
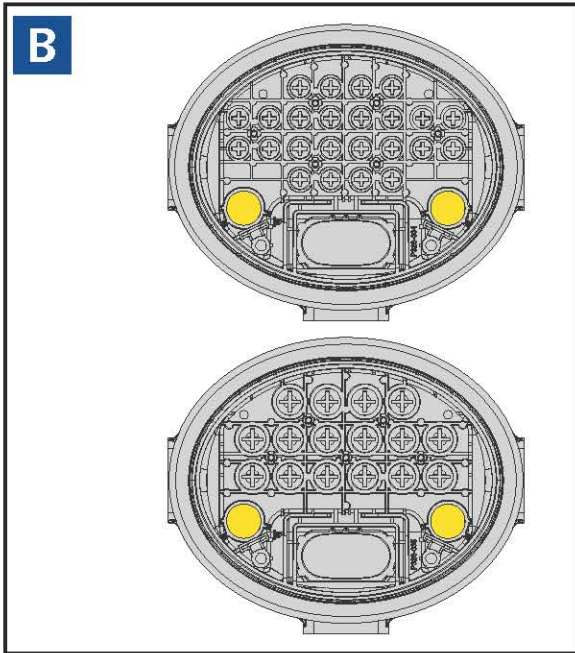


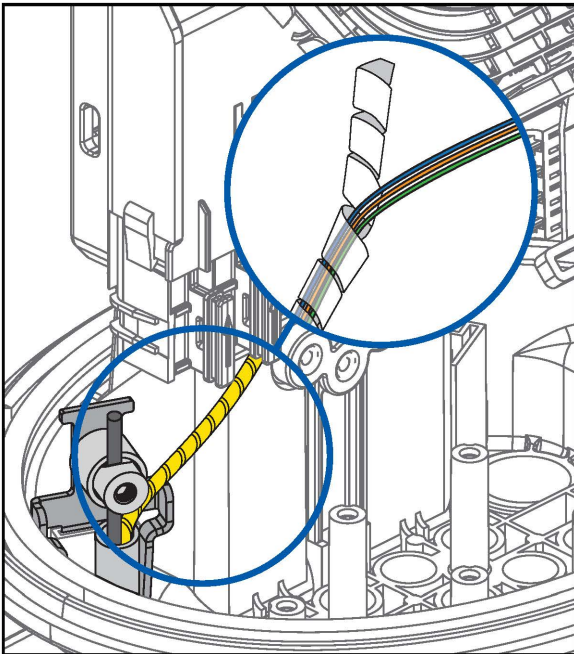
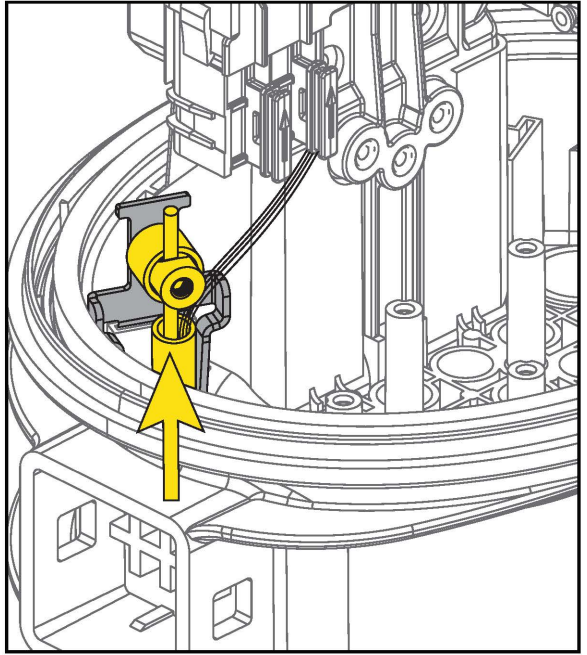
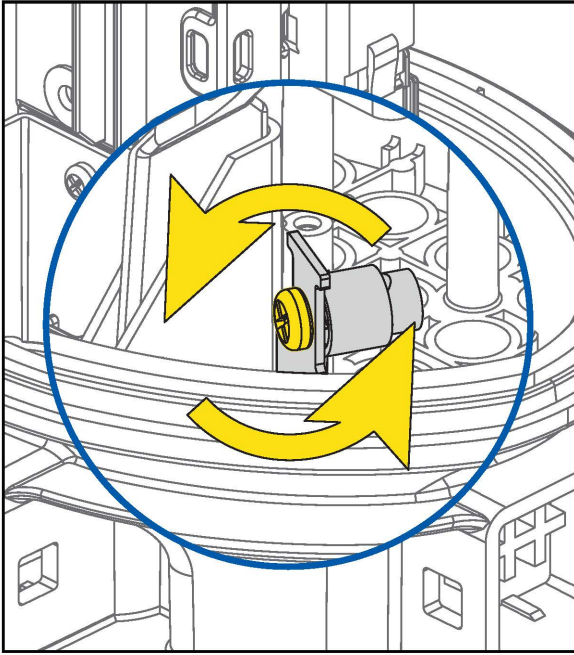
A

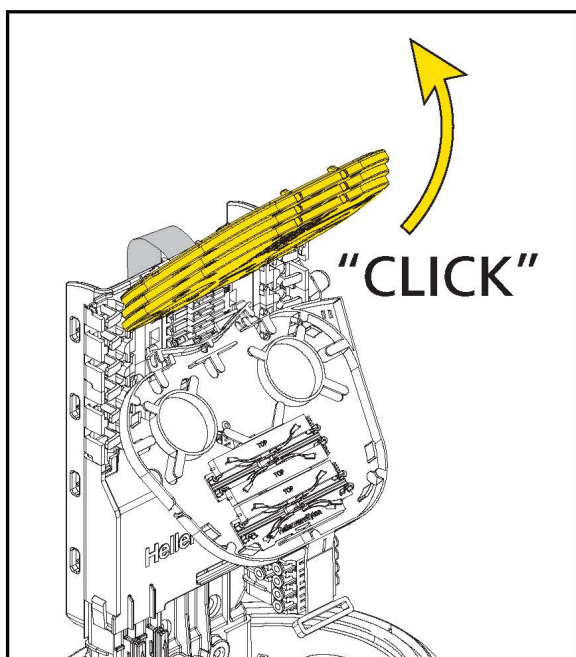
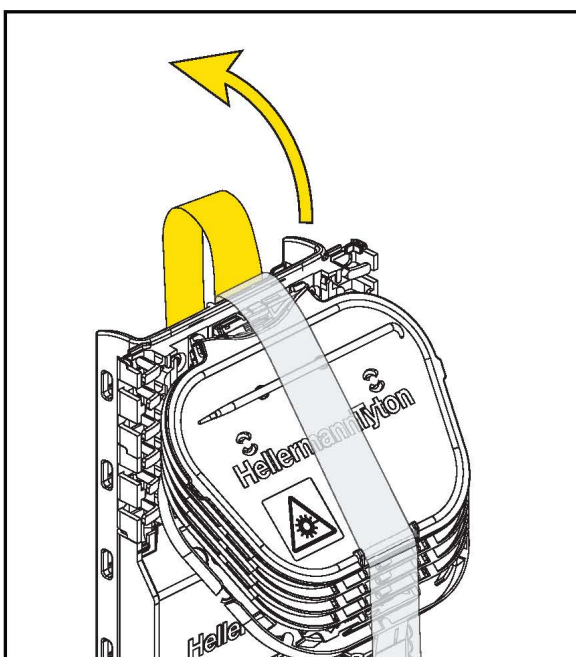
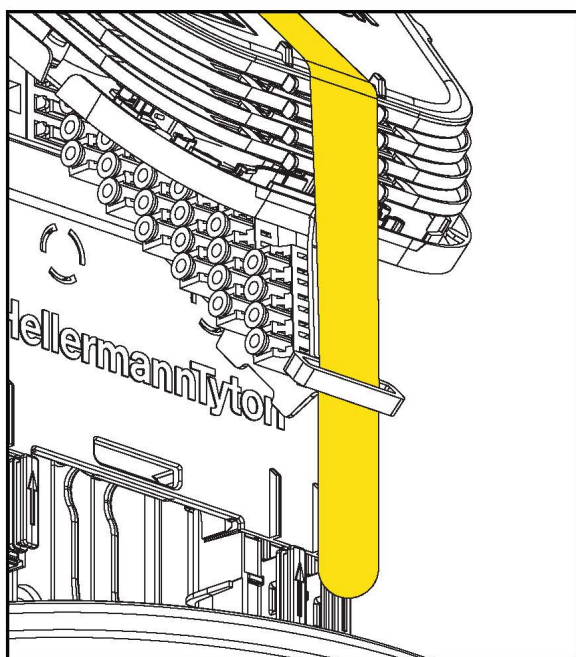
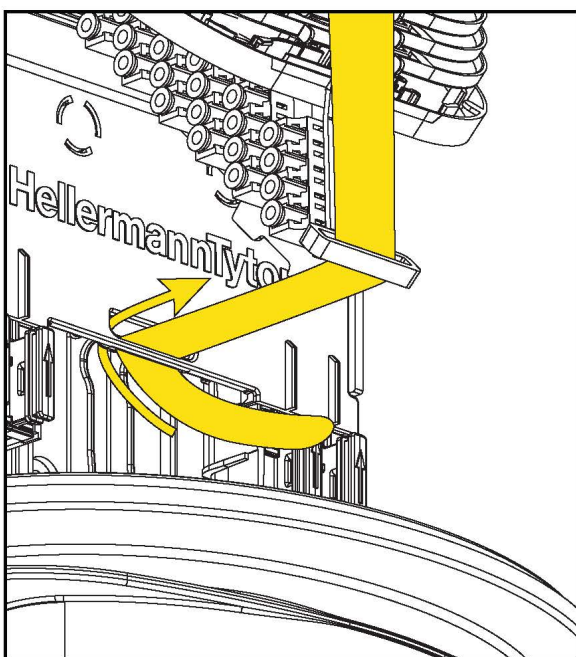
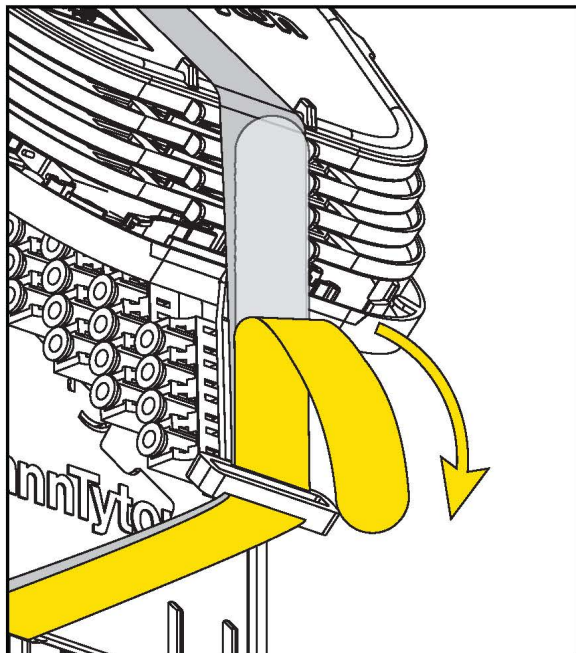
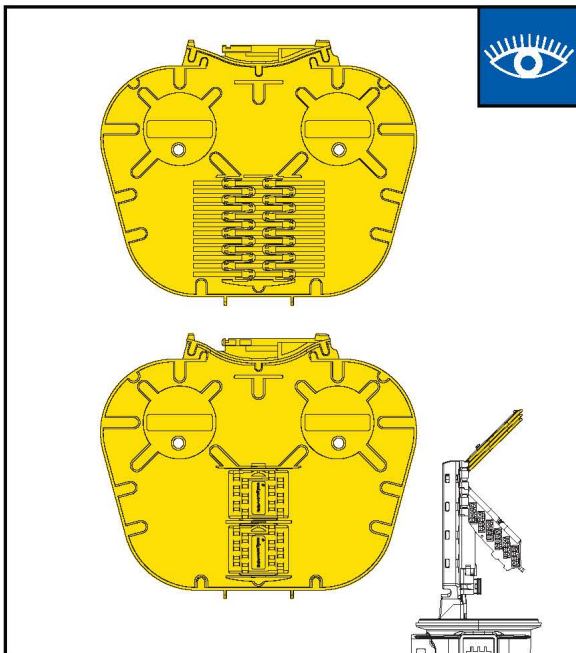


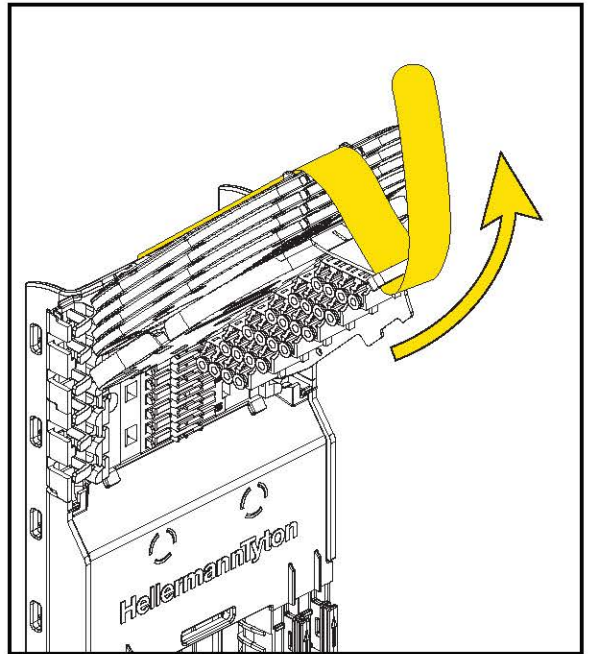
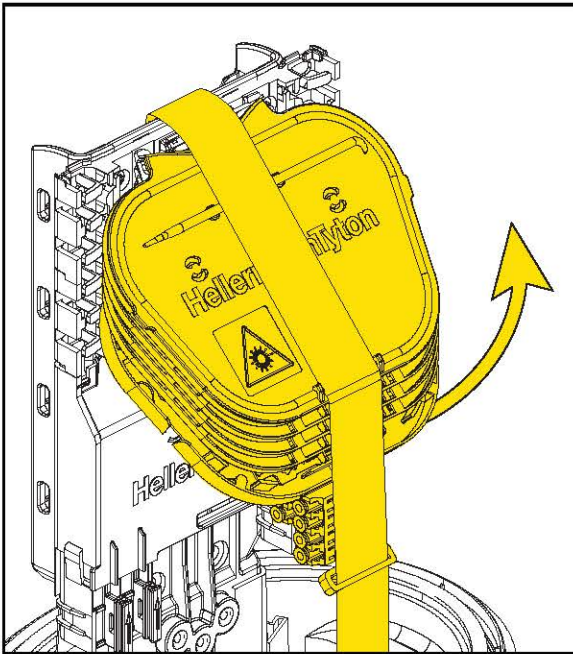
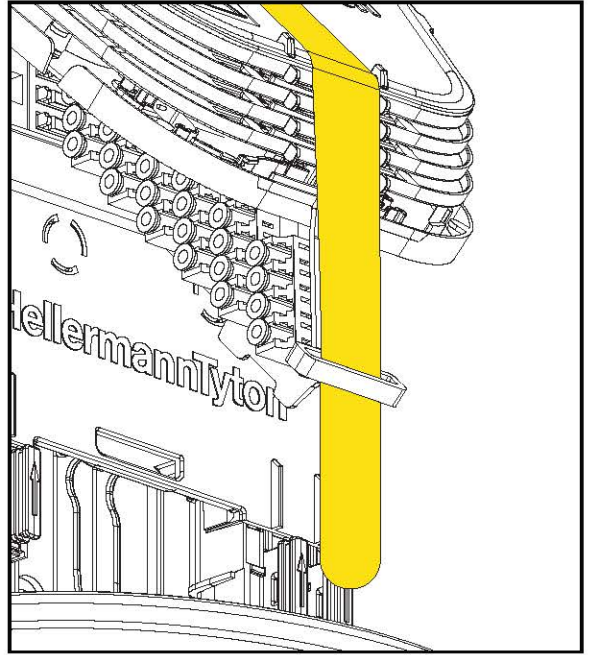
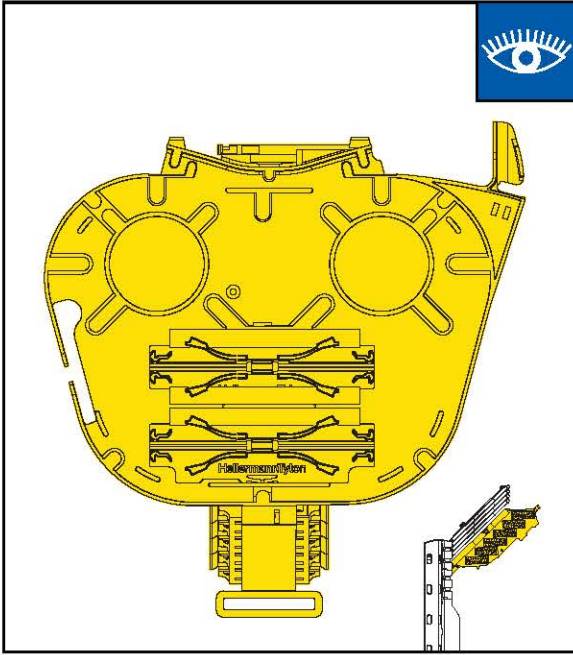




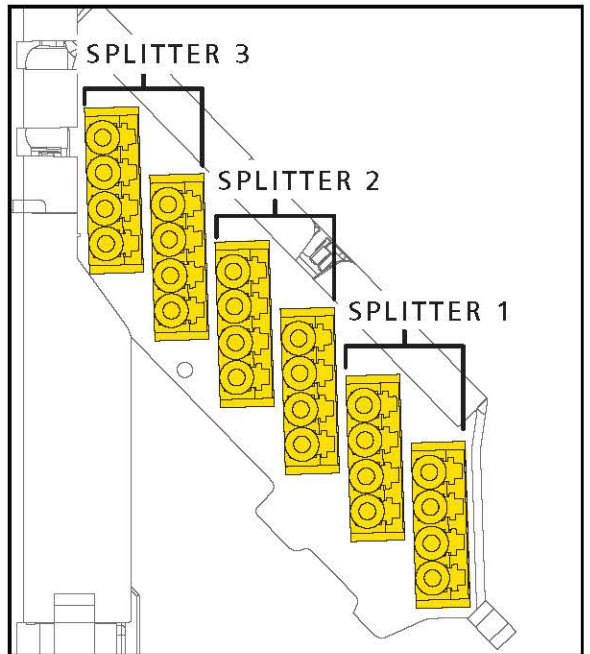
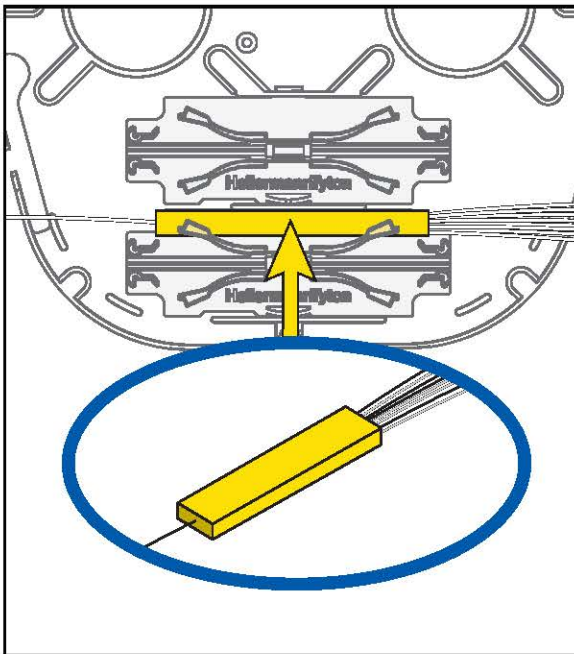
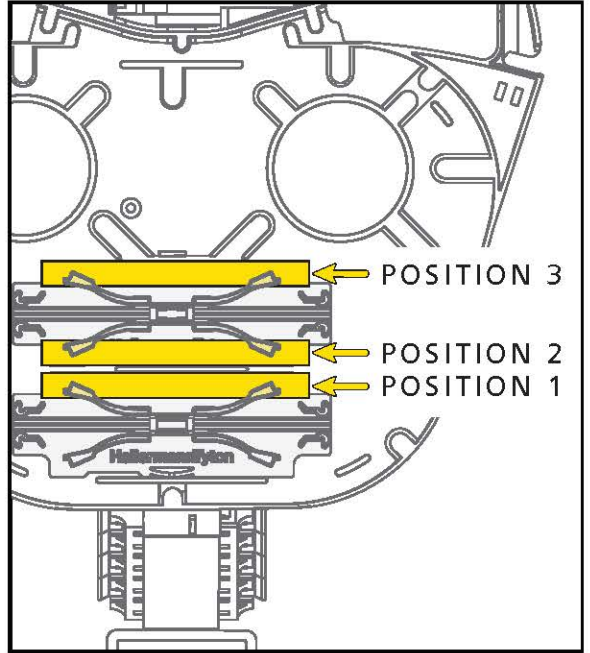
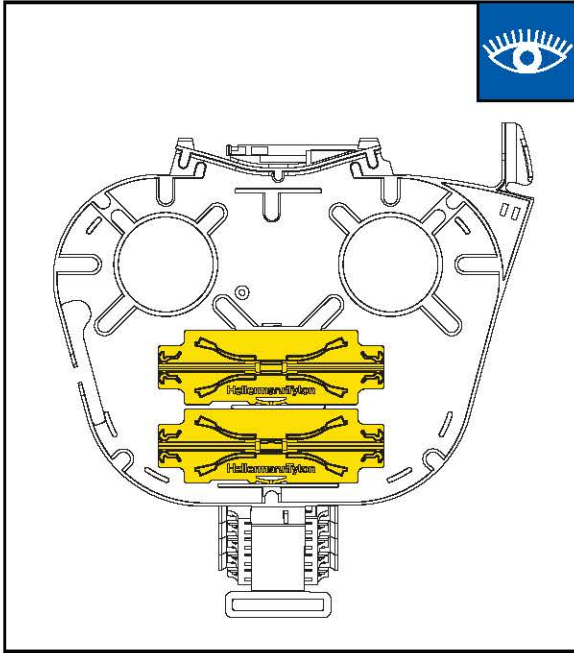






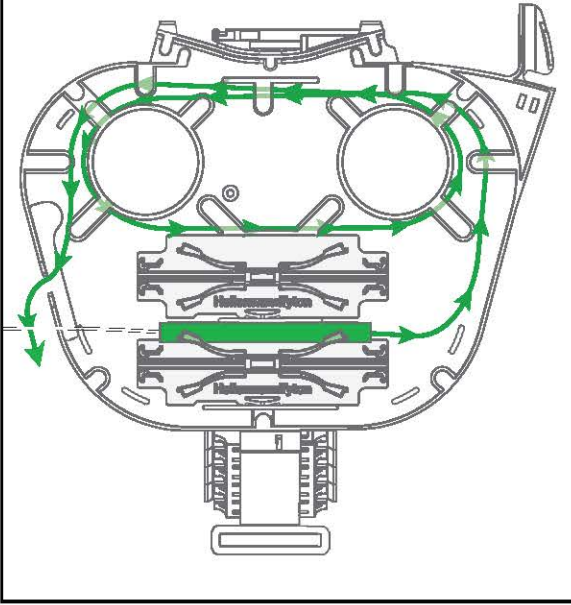


E - Splitter to Adaptors

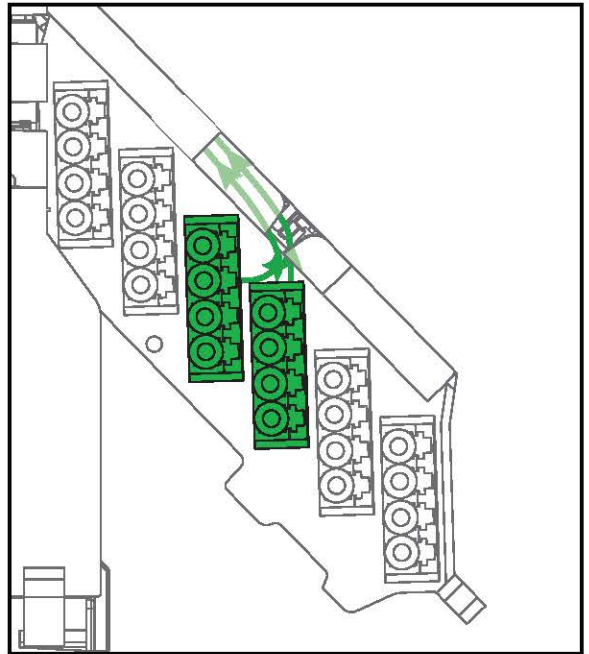
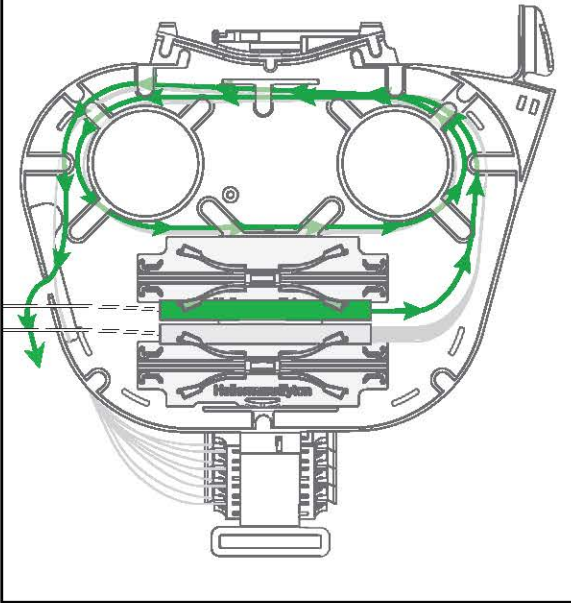


E - Splitter to Adaptors

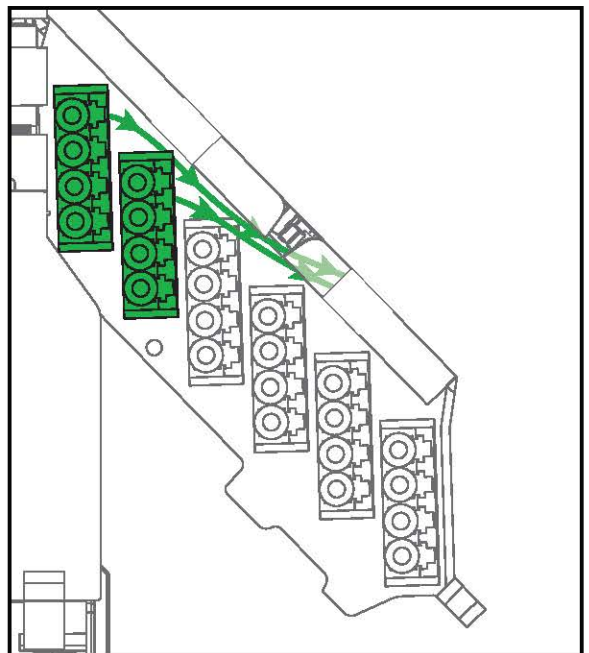
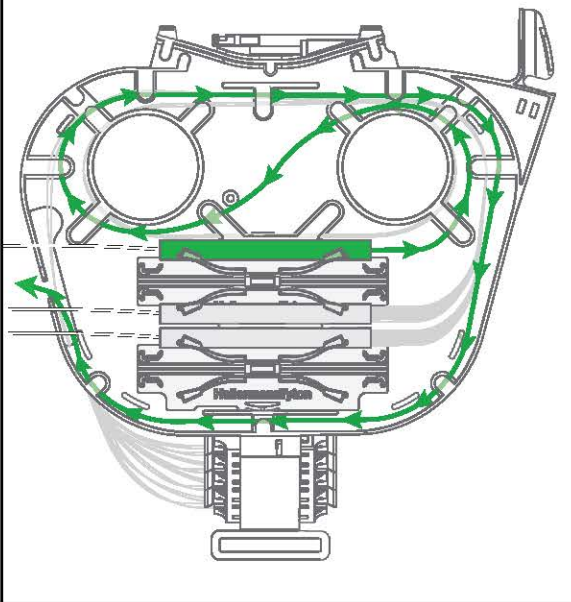
SPLITTER 1



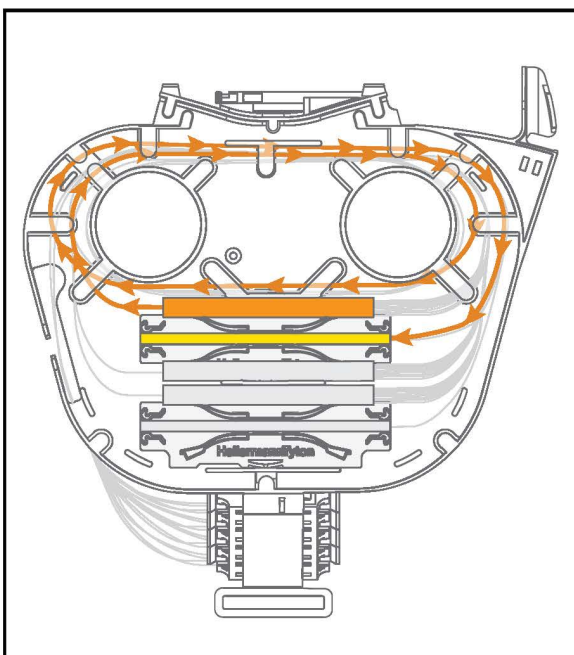
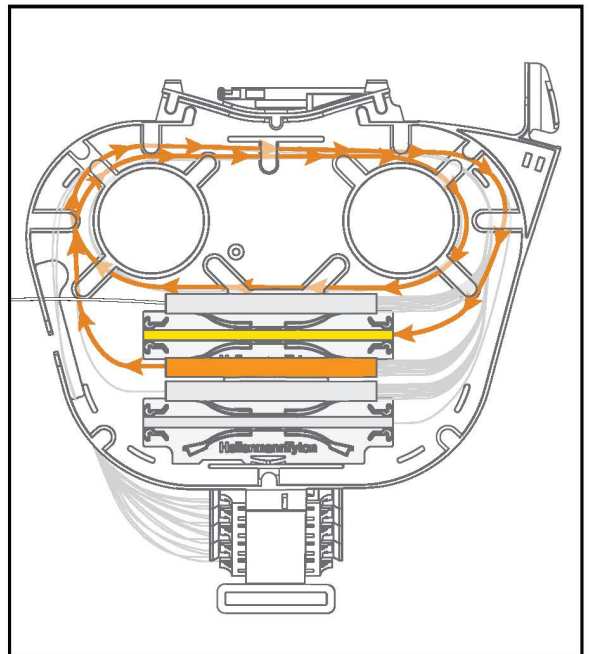
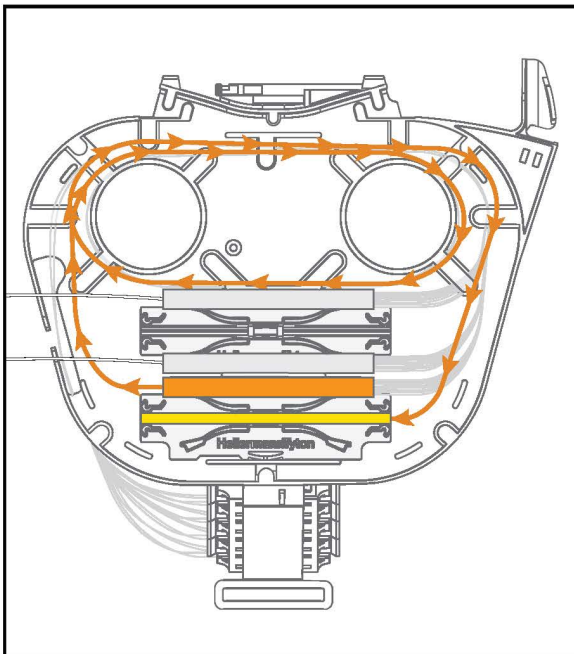
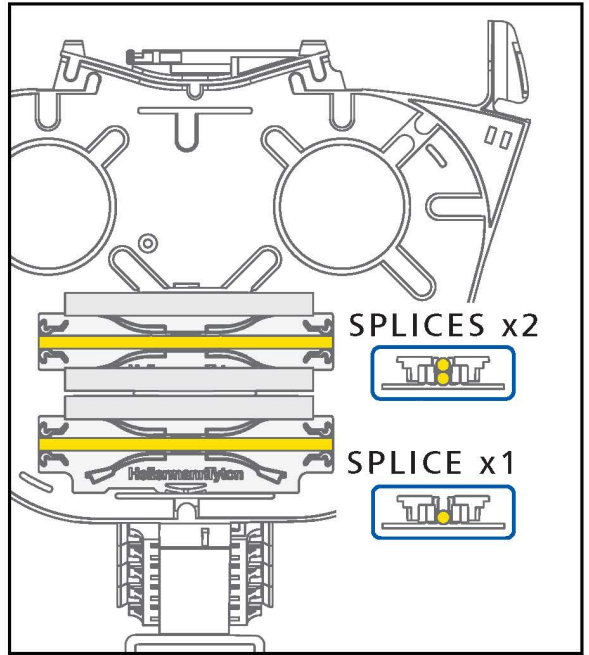
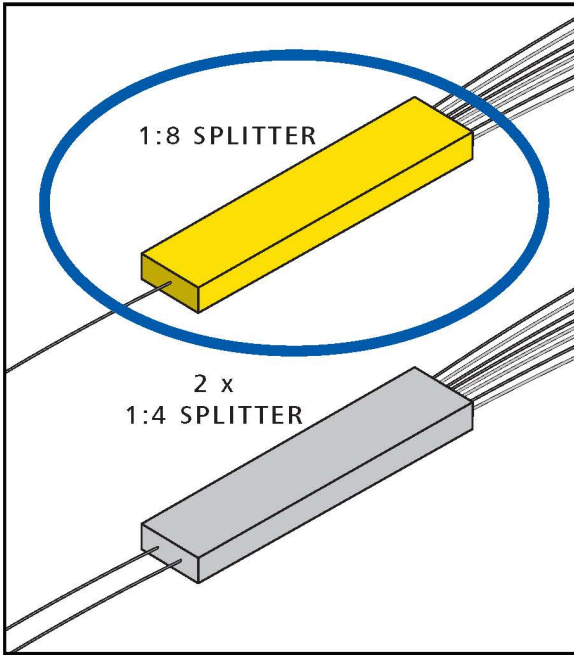
SPLITTER 2



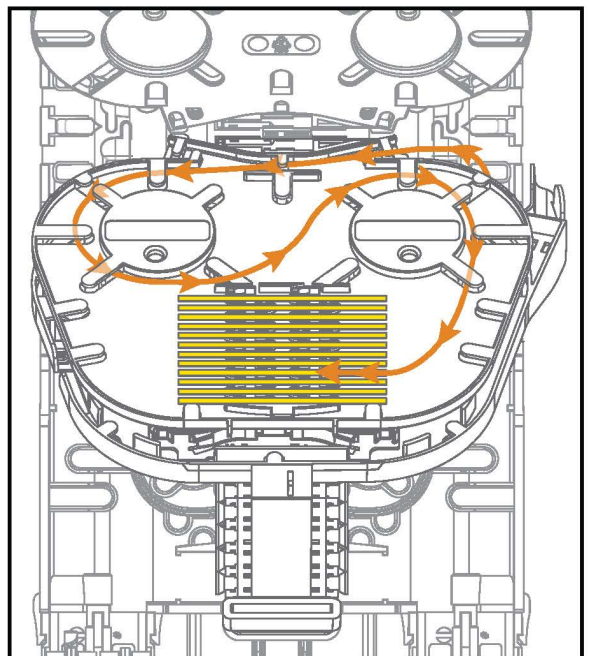
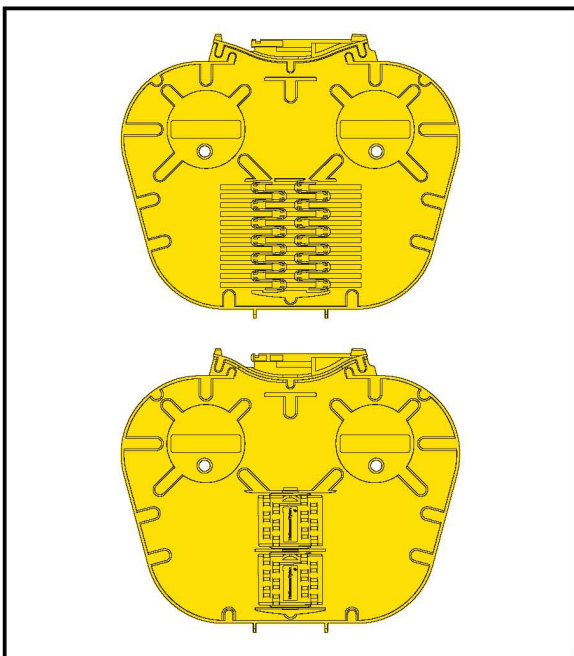
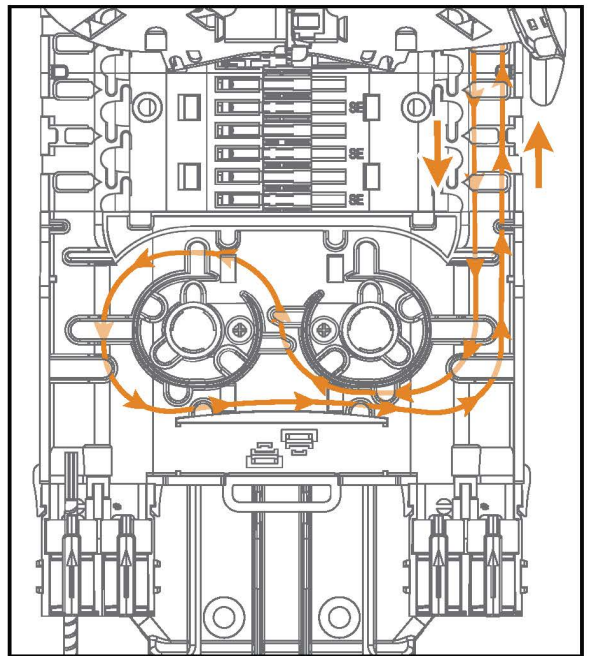
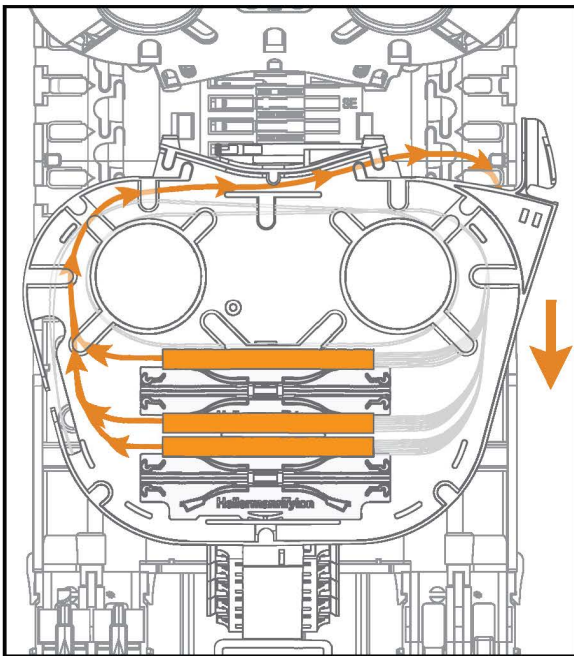
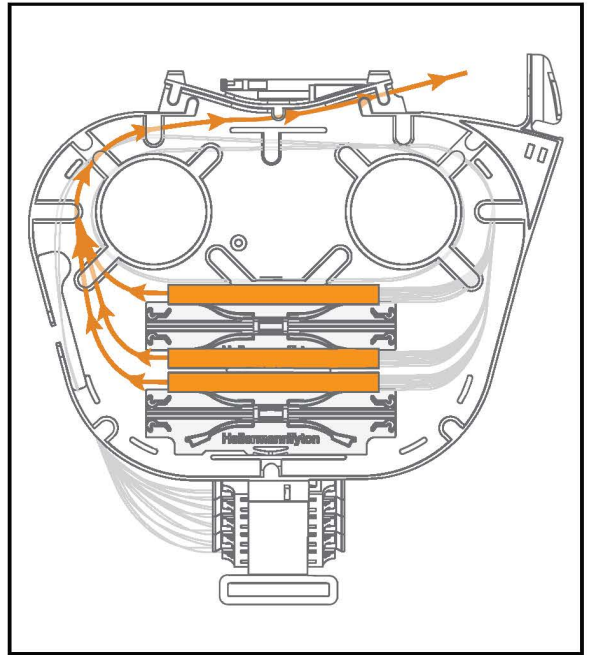
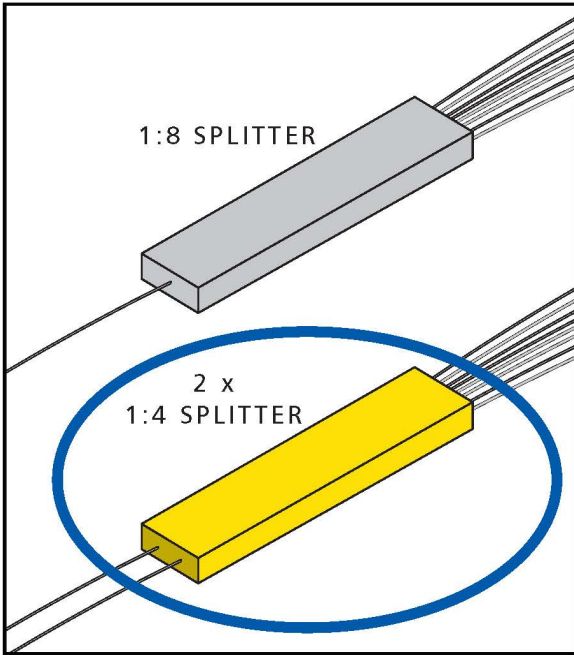
SPLITTER 3

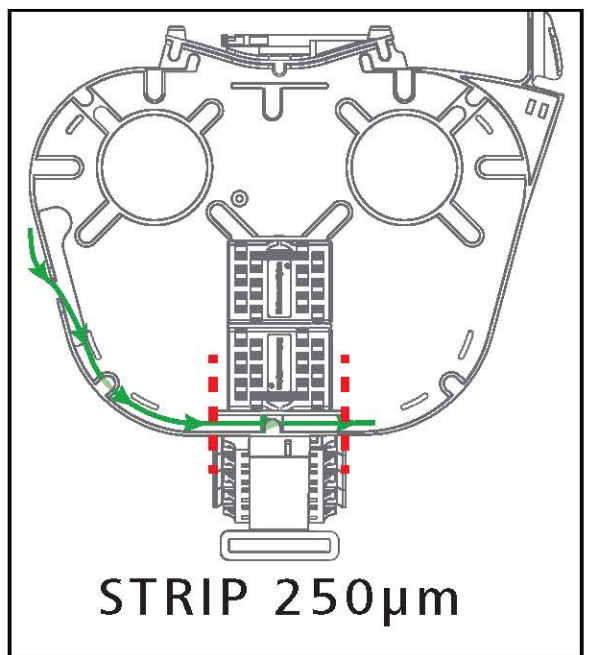
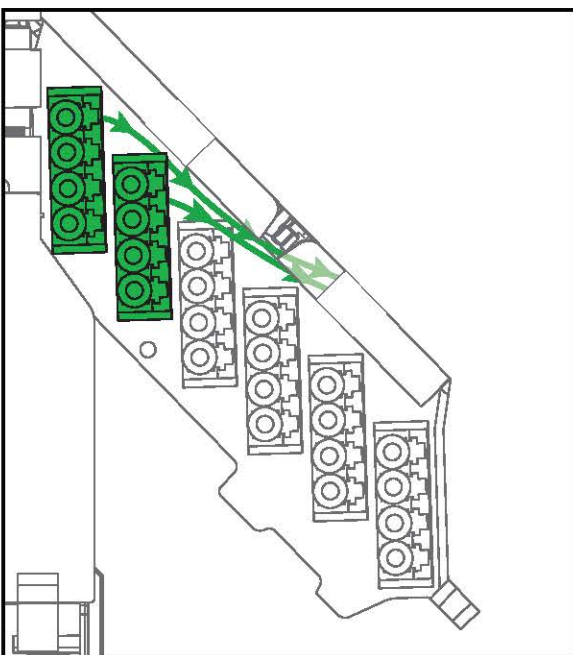
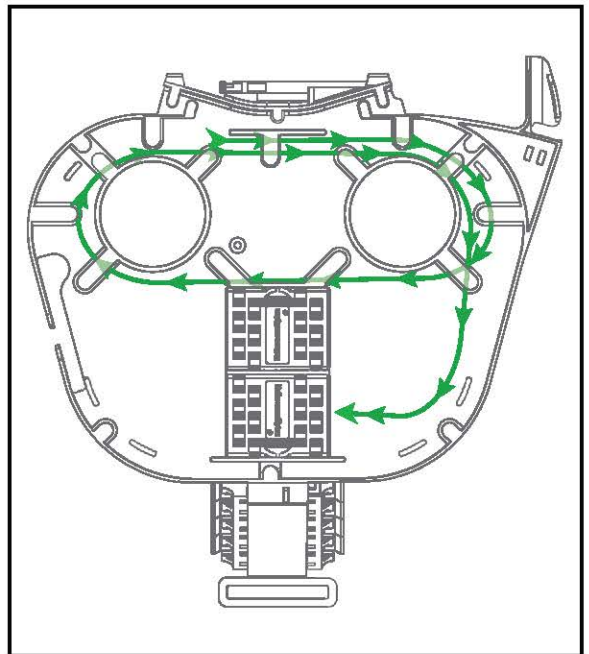
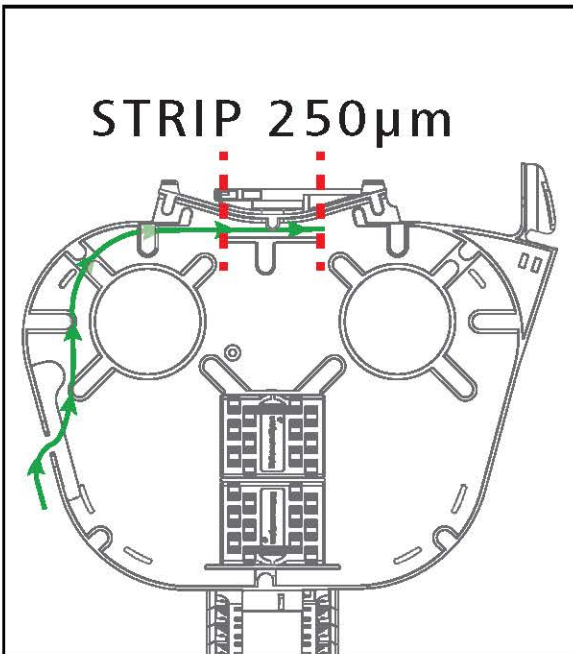
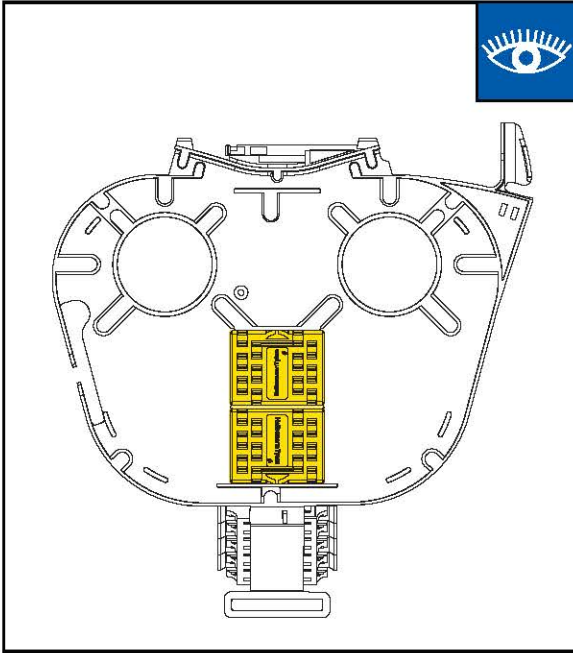


E - 1:8 Splitter to Splice

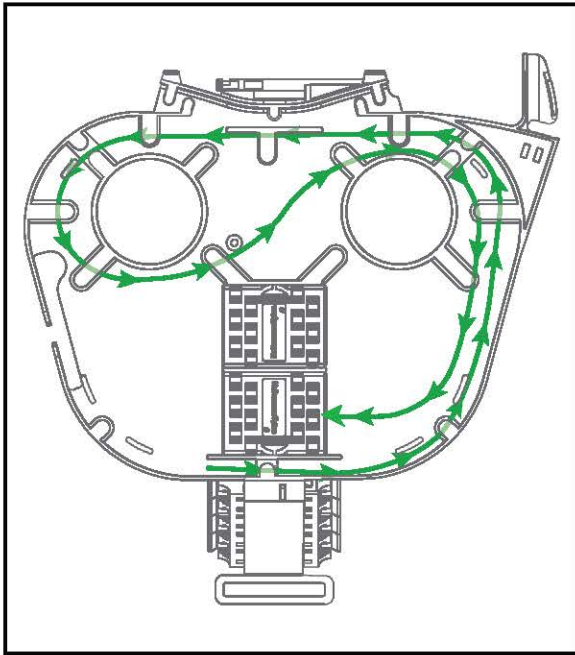


E - 1:4 Splitter to Splice

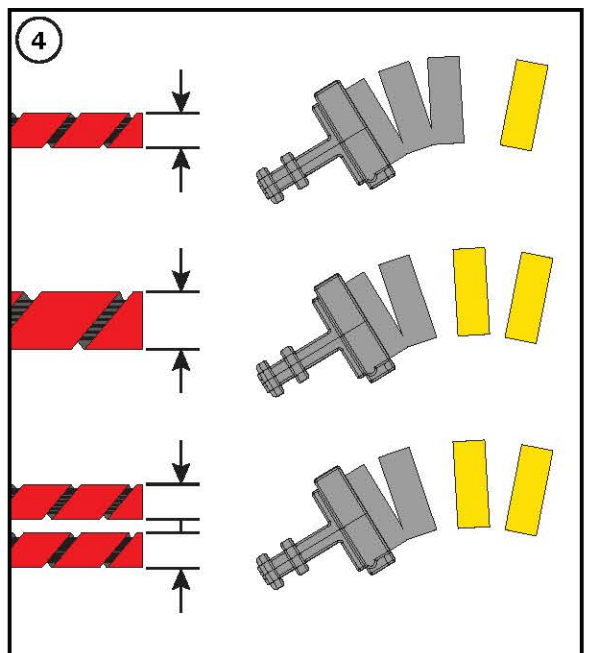
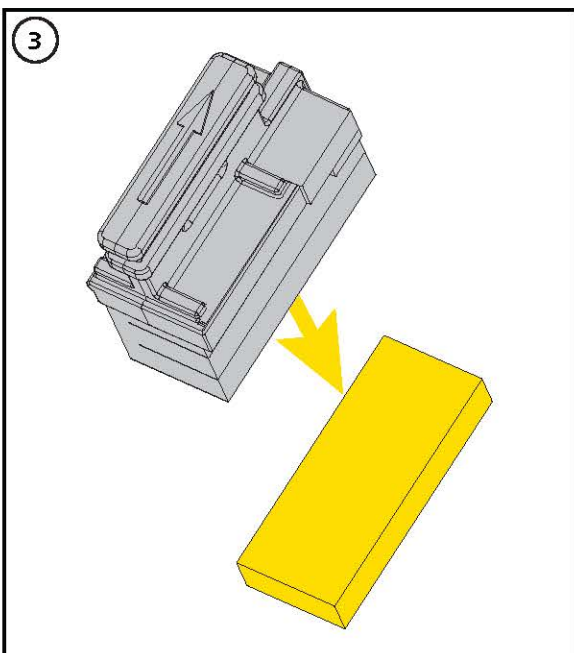
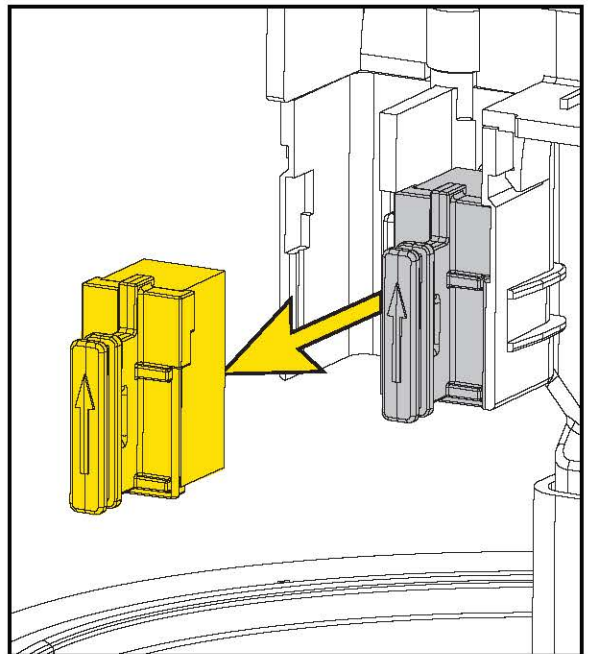
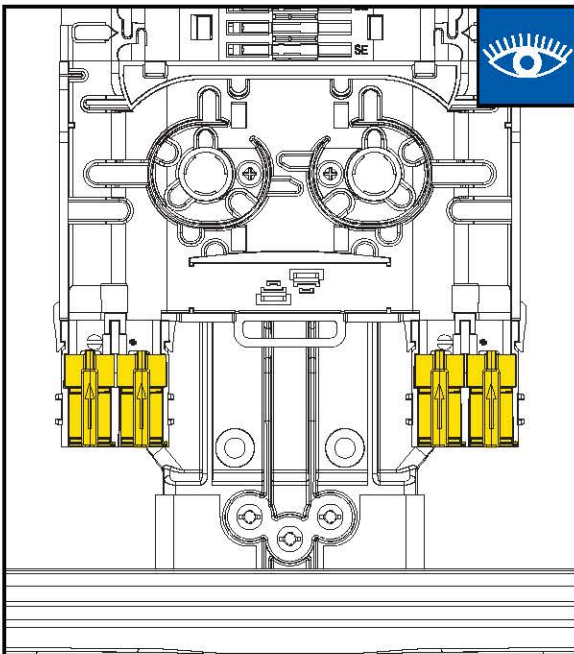
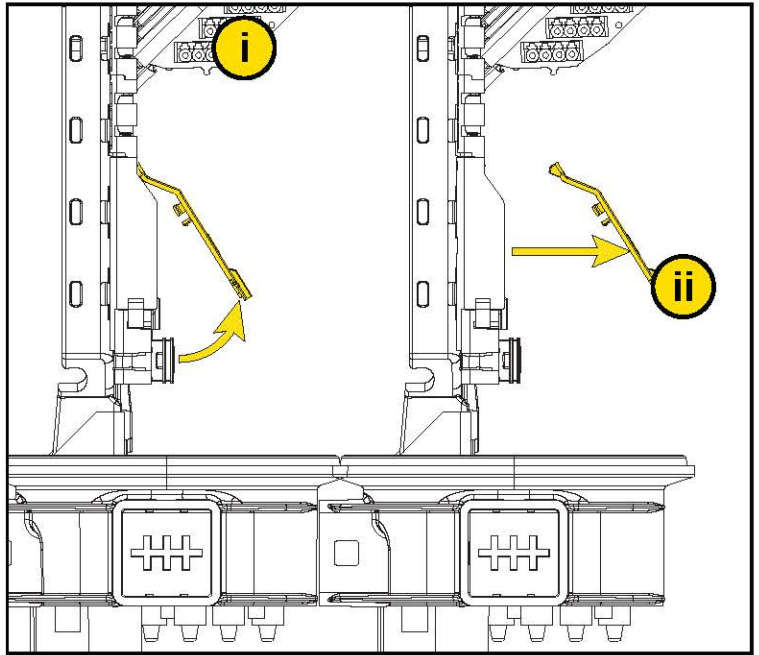
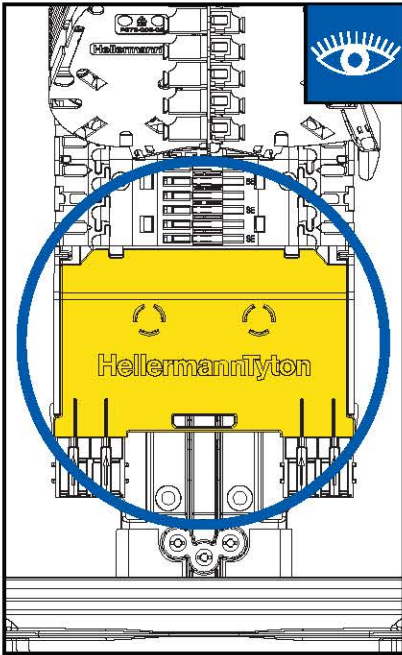


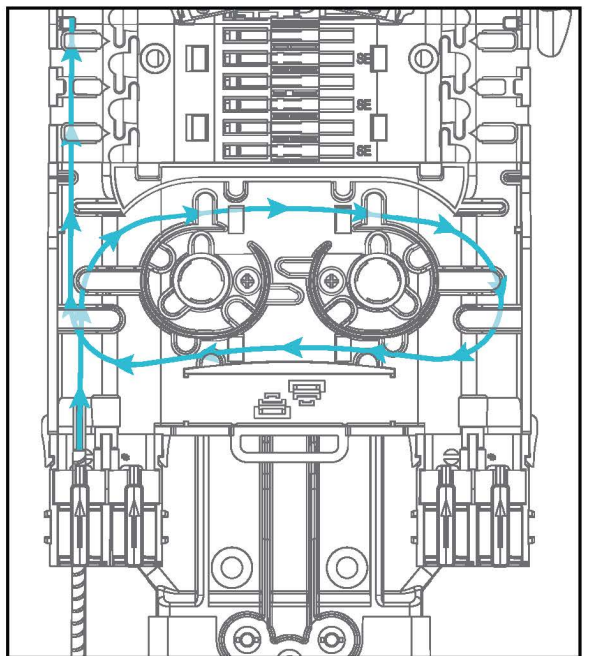
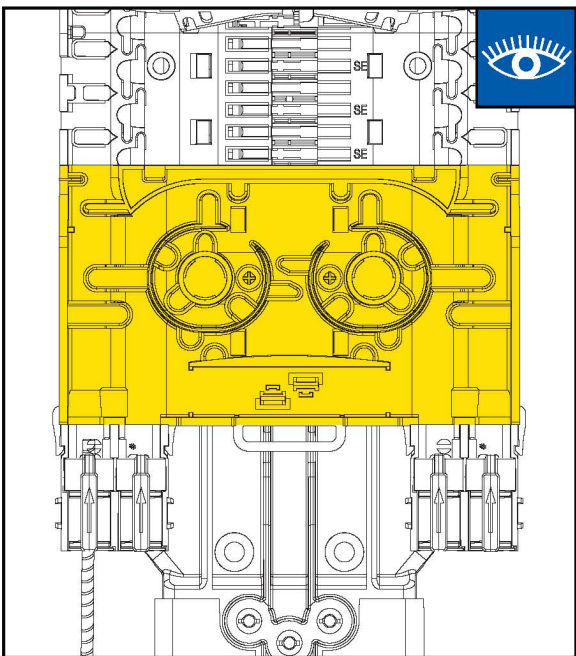
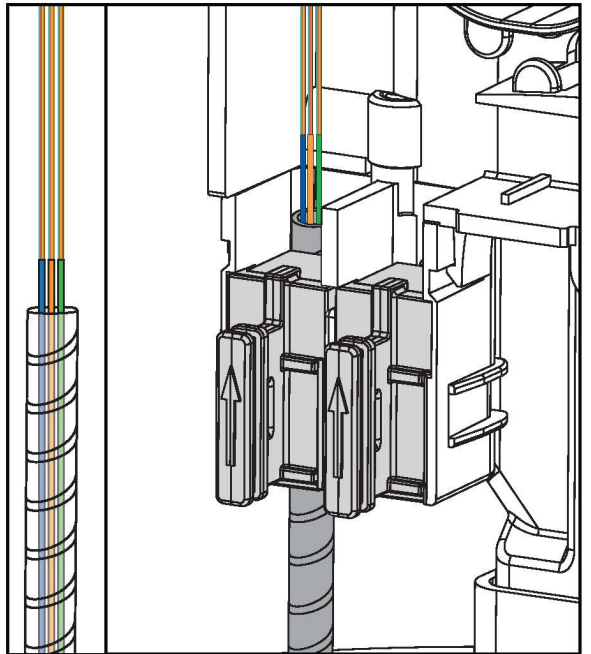
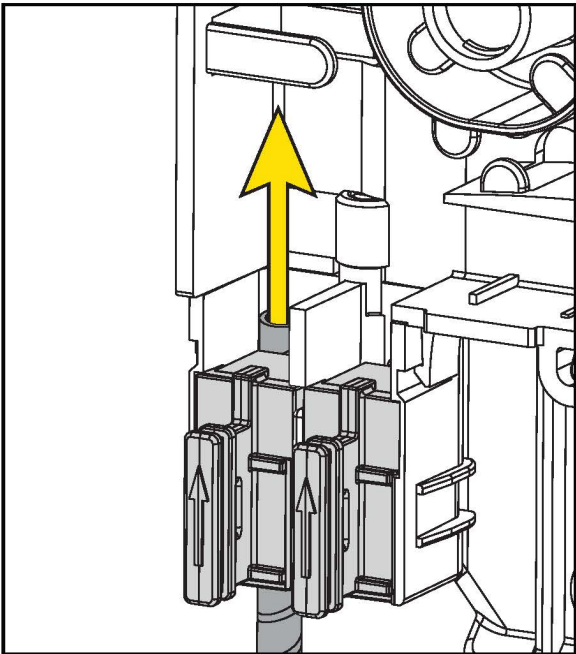
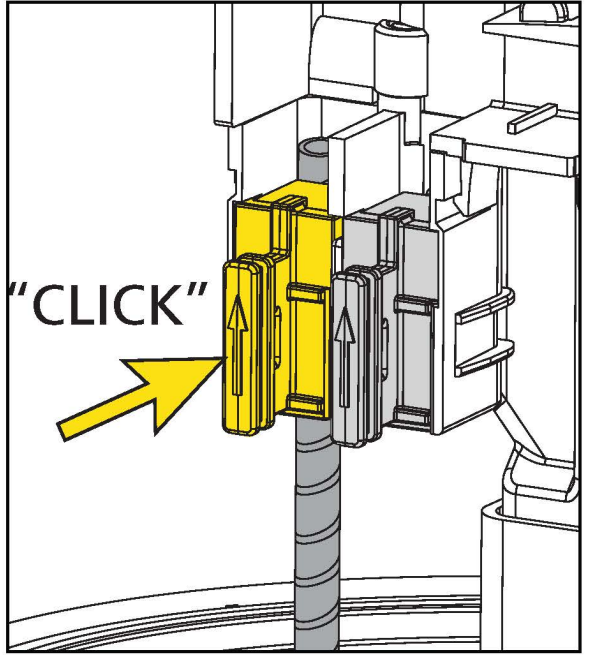
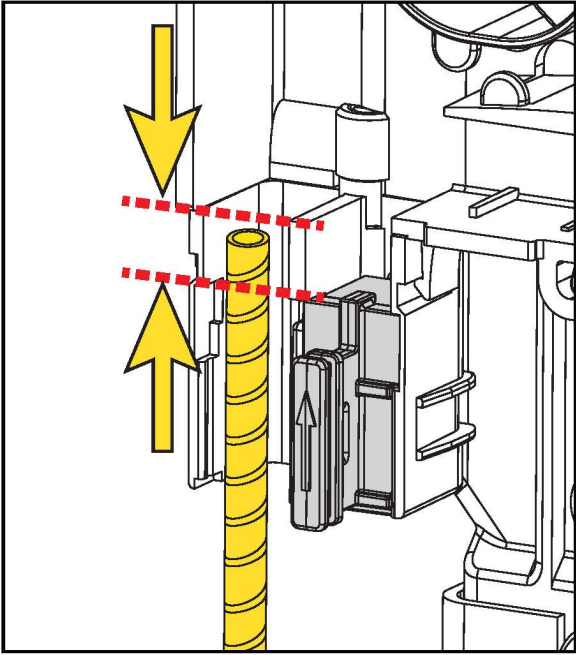


F - Pigtail Tray

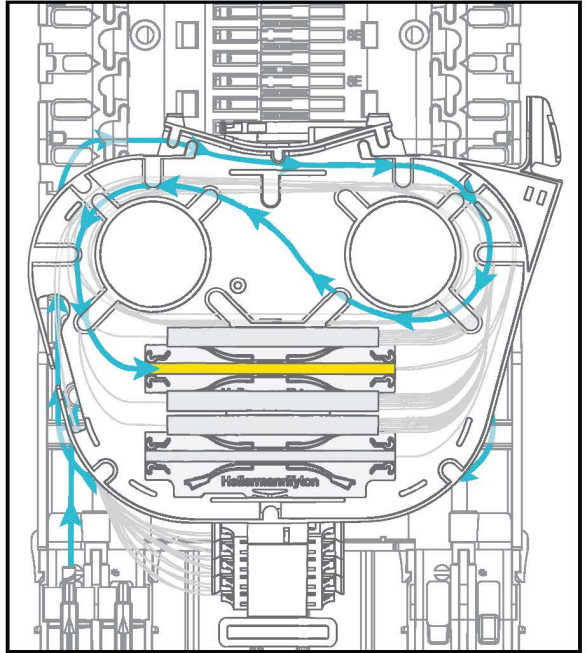
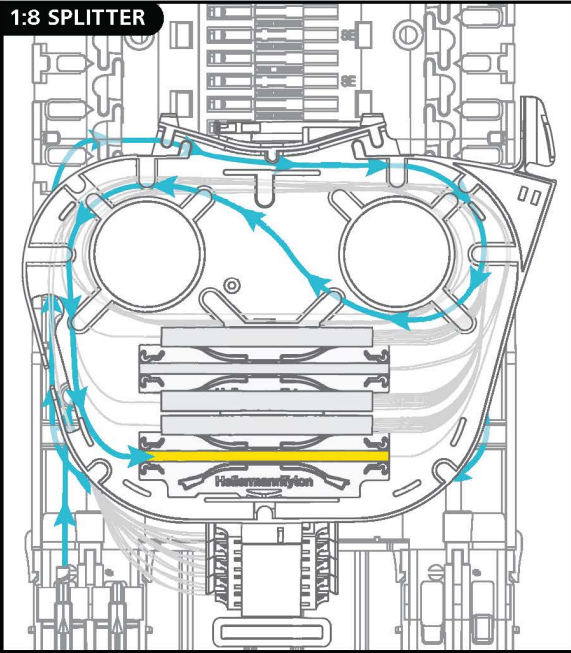


G - Incoming Fibre

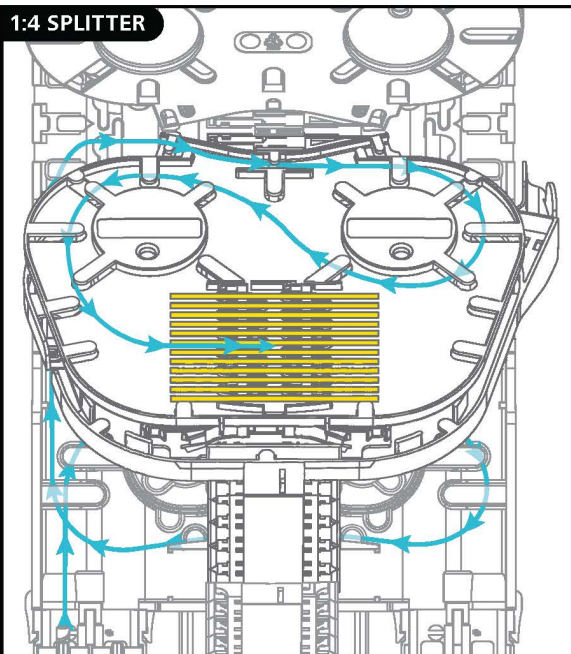


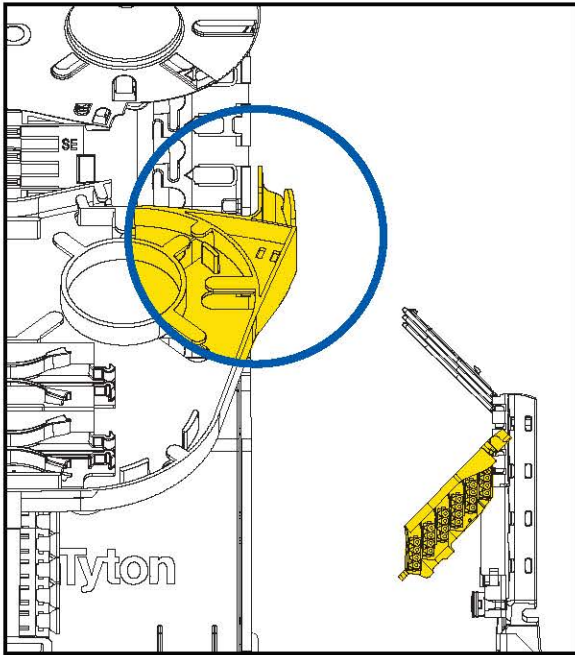
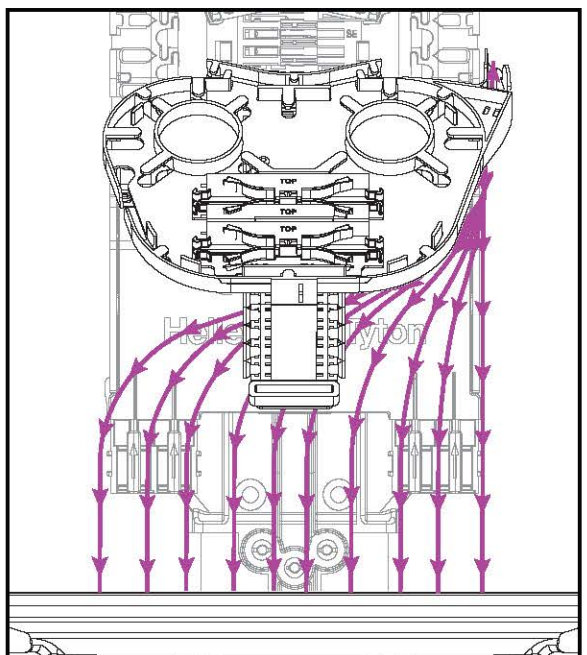
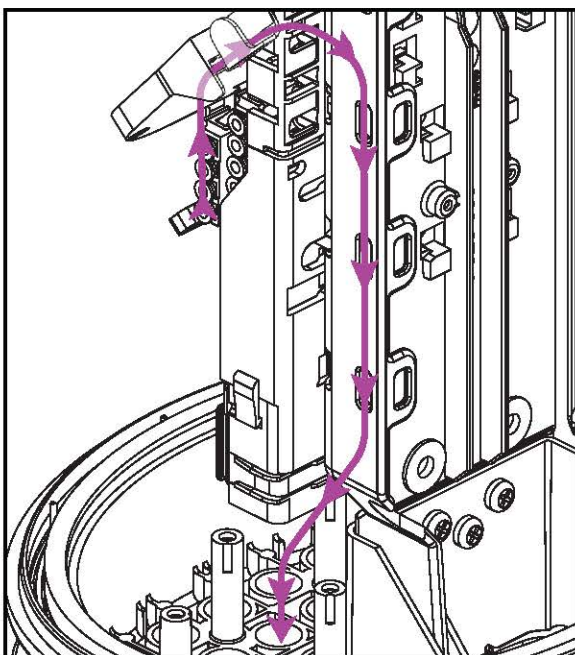
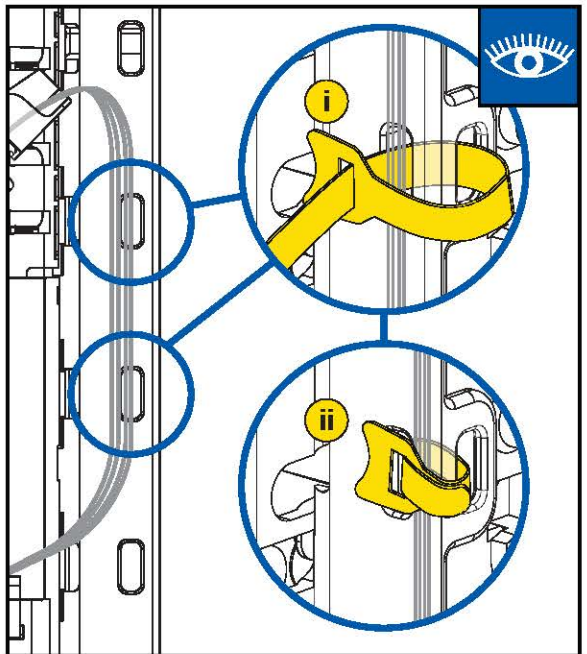
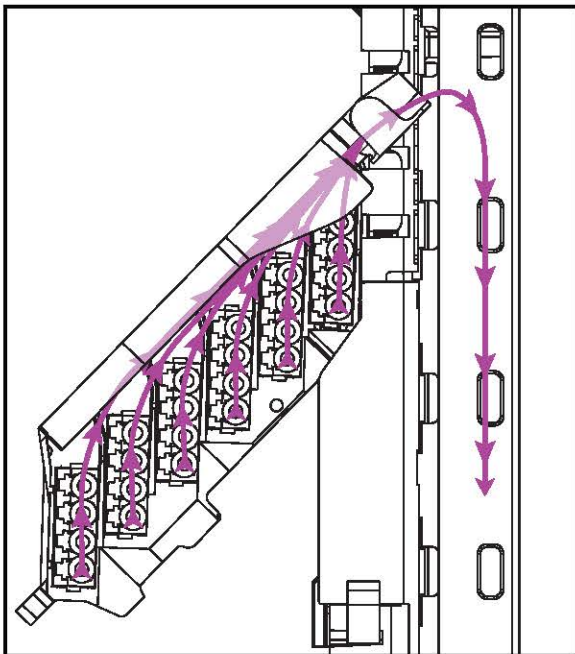
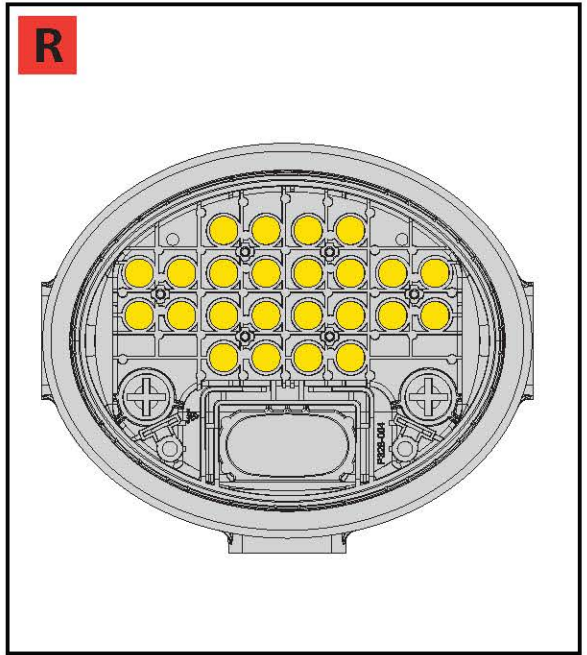


1:8 SPLITTER



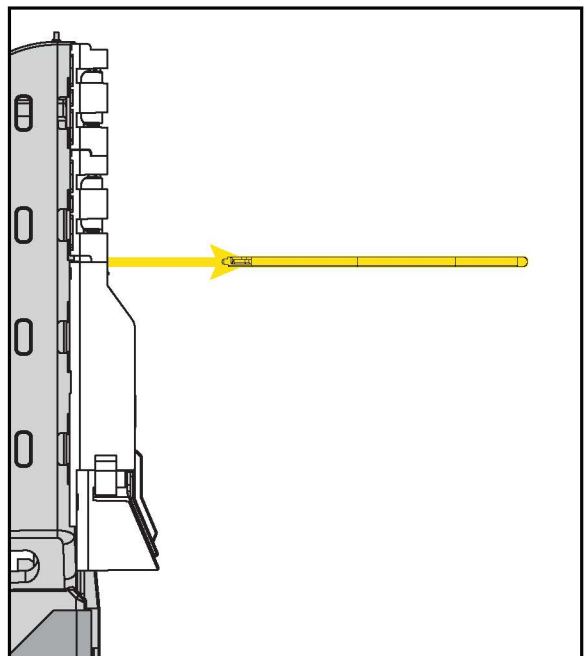
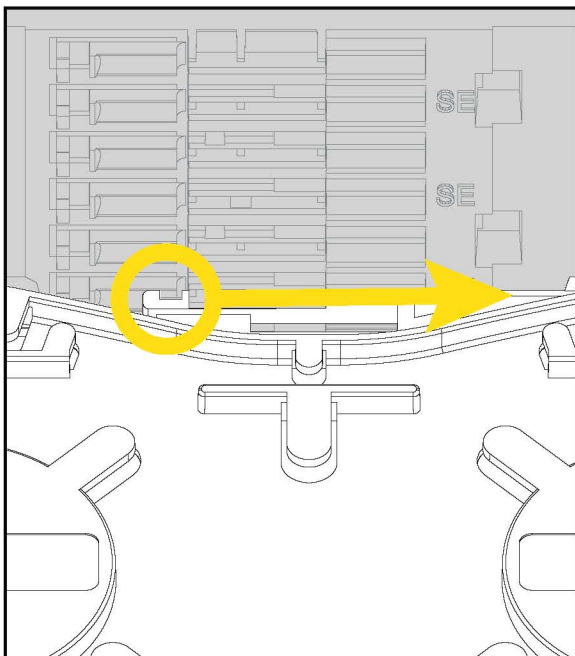
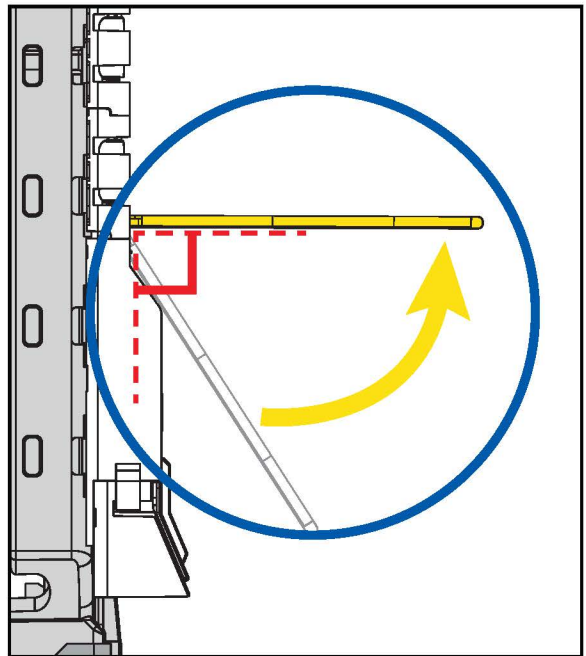
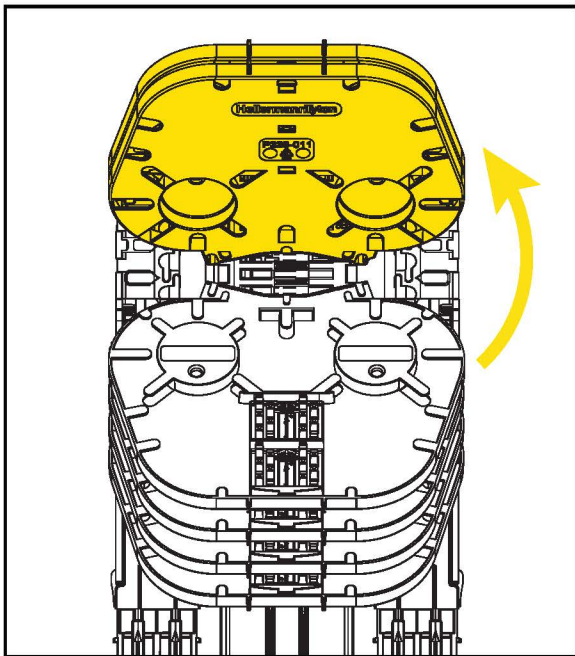
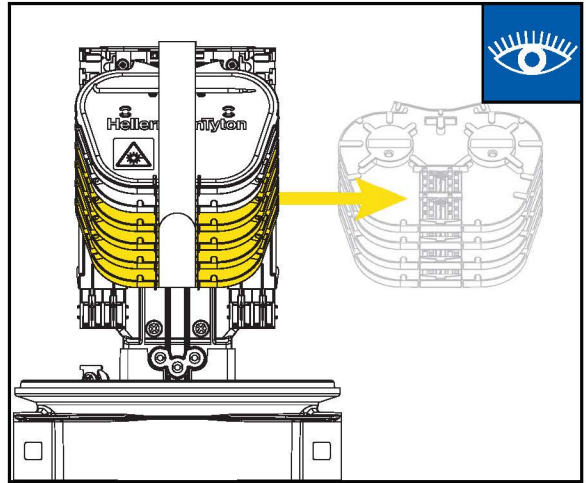
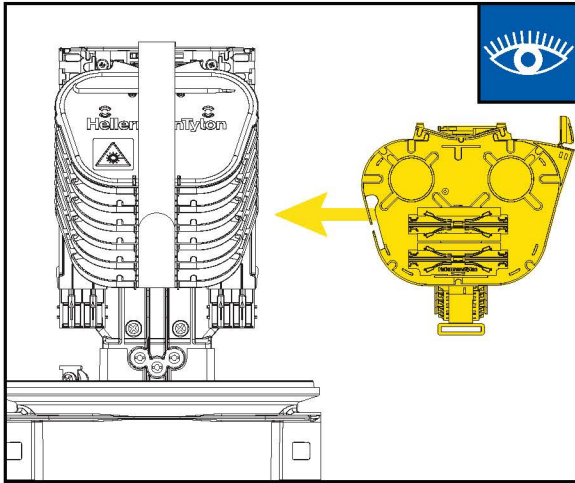
1:4 SPLITTER



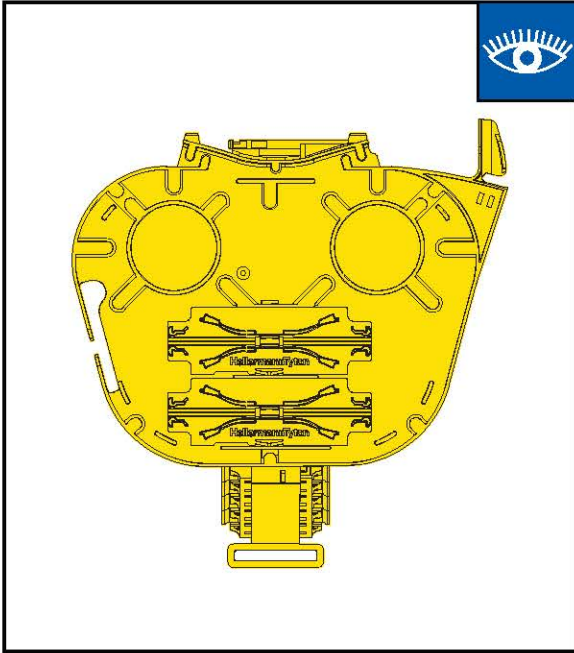
H**R**

I - Upgrade to CFN CT trays

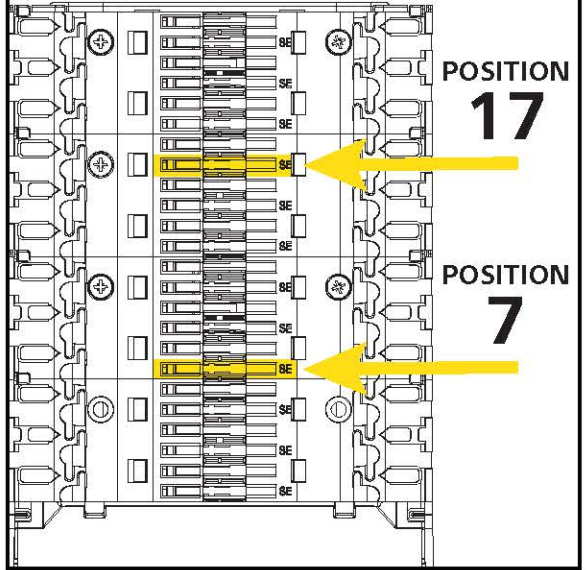
CLOSURE LENGTH		MEDIUM				SMALL	
TRAY TYPE		SE	SC	SE	SC	SE	SC
INSERT	No. of connectorised trays to insert		1	2		1	
REMOVE	No. of splice trays to remove	4	7	9	18	4	7



I - Upgrade to CFN CT trays contd



MEDIUM



SMALL

