

Introduction

Thank you for buying your new QX Lawn Scarifier Cassette. This manual gives instructions on the correct assembly and safe use of your QX Lawn Scarifier Cassette when fitted to your mower. It is important that you read these instructions carefully.

Your QX Lawn Scarifier Cassette can be used with any QX System electric or petrol mower. Please follow the appropriate instructions and diagrams.

Unpacking

Carefully remove the scarifier cassette from its packaging and check that you have the following additional items:

1. Allen key
2. Instruction Manual

If any items are missing or damaged, please contact the agent from which you purchased the machine.

Preparing the Mower for Scarifying

To convert the mower to a scarifier, proceed as follows. For safety, wear strong gardening gloves.

Petrol Models

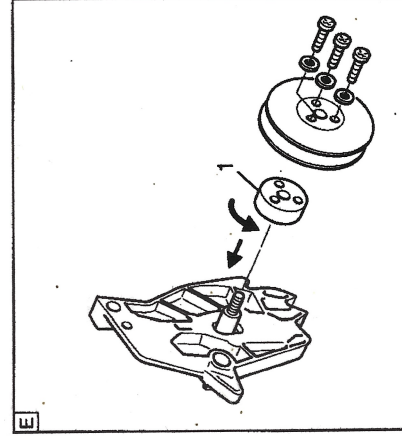
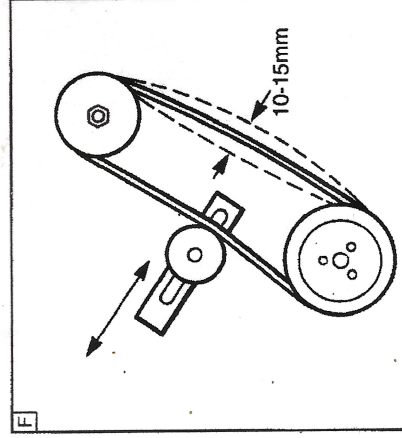
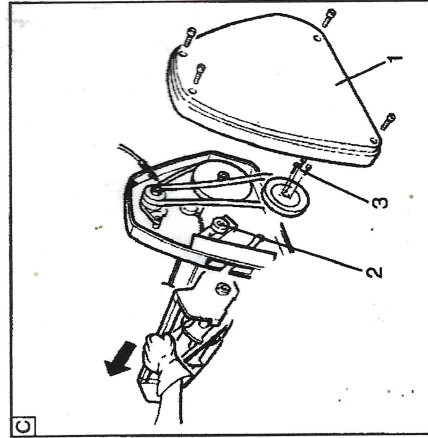
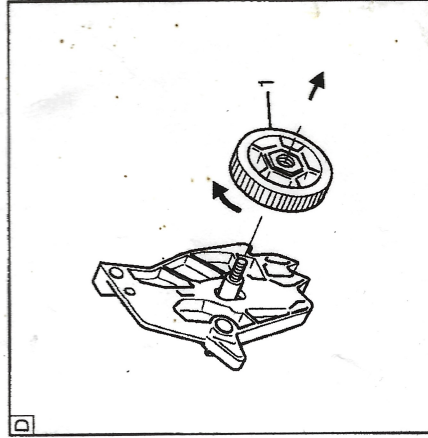
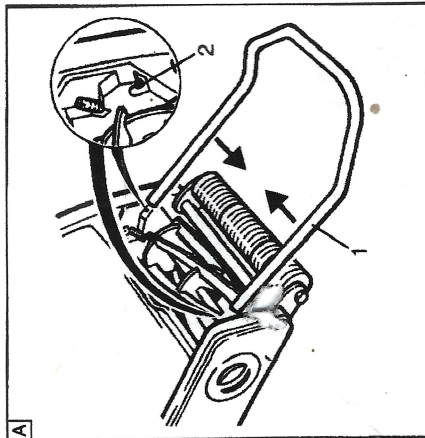
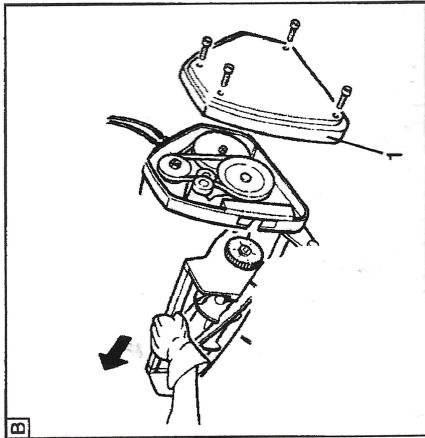
1. Remove the grassbox and cradle (Fig. A 1).
2. Remove the drive cover (Fig. B 1).
3. Remove the two cassette fixing screws (Fig. A 2).
4. Pull the cassette out using the handle as shown in figure B. Do not place hands in the blades.
5. Slide the cassette into the mower, and refit the screws (Fig. A 2).
6. Refit the drive cover.

When refitting the cutting cassette, check the cutting action. (See mower instructions.)

Electric Models

To remove and replace the cassette:

1. Remove the grassbox and cradle (Fig. A).
2. Remove the drive cover (Fig. C 1).
3. Slacken the idler pulley nut (Fig. C 2) sufficient for the pulley to slide.



4. Remove the three screws (Fig. C 3), then remove the pulley and belt.
5. Remove the two cassette fixing screws (Fig. A 2).
6. Pull the cassette out using the handle as shown in figure C. Do not place hands in the blades.
7. Remove the pulley gear from the scarifier cassette and pulley centre from the existing cylinder cassette. Turn clockwise to loosen (Fig. D).
8. Fit the pulley centre to the scarifier cassette (Fig. E).
9. Slide the scarifier cassette into the mower; and refit the screws (Fig. A 2).
10. Refit the pulley and drive belt (Fig. C).
11. Adjust the idler pulley against the drive belt to give the tension shown in figure F.
12. Refit the drive cover.

When refitting the cutting cassette, check the cutting action. (See mower instructions.)

Advice on Lawn Scarifying

- Kill moss with a proprietary moss killer before scarifying.
- Optimum conditions for scarifying are when grass is short (15-20mm) and dry/slightly damp.
- Scarifying when the ground is wet may damage the lawn.
- For best results scarify first in one direction, then again at right angles (Fig. G).
- If the lawn contains a lot of moss or thatch, it may need partial re-seeding after scarifying.

Using the Mower as a Scarifier

1. Set the height of cut to S (see Setting the Height of Cut in the mower instructions), then adjust to achieve the required level of raking/scarifying and to suit the ground conditions.
2. Follow the safety rules and operating information given in the mower instructions.

Note: If the mower is to be left standing for long periods, adjust the tines so that they are clear of the ground.