

K42008628-001

FROST PROTECTION KIT

Installation Sheet

GENERAL DESCRIPTION

The K42008628-001 Frost Protection Kit is designed to give automatic frost protection to central heating boilers and pipework situated in areas at risk of freezing, as well as providing general protection for the fabric of the building.

The kit comprises a T4360A1009 frost thermostat and an L641B1004 low-limit pipe thermostat, forming a frost protection system for all applications.

To protect exposed boilers and pipework e.g. in boiler rooms, garages or attics which are not provided with heating - the frost thermostat should be mounted on the wall of the room to be protected, ideally the coldest room. It must NEVER be installed outside the building, and preferably NOT on an outside wall.

The pipe thermostat is necessary to ensure that overheating of the property does not occur, so it should be situated on the boiler return pipe, and set to 25°C (dependant on system and location).

INSTRUCTIONS

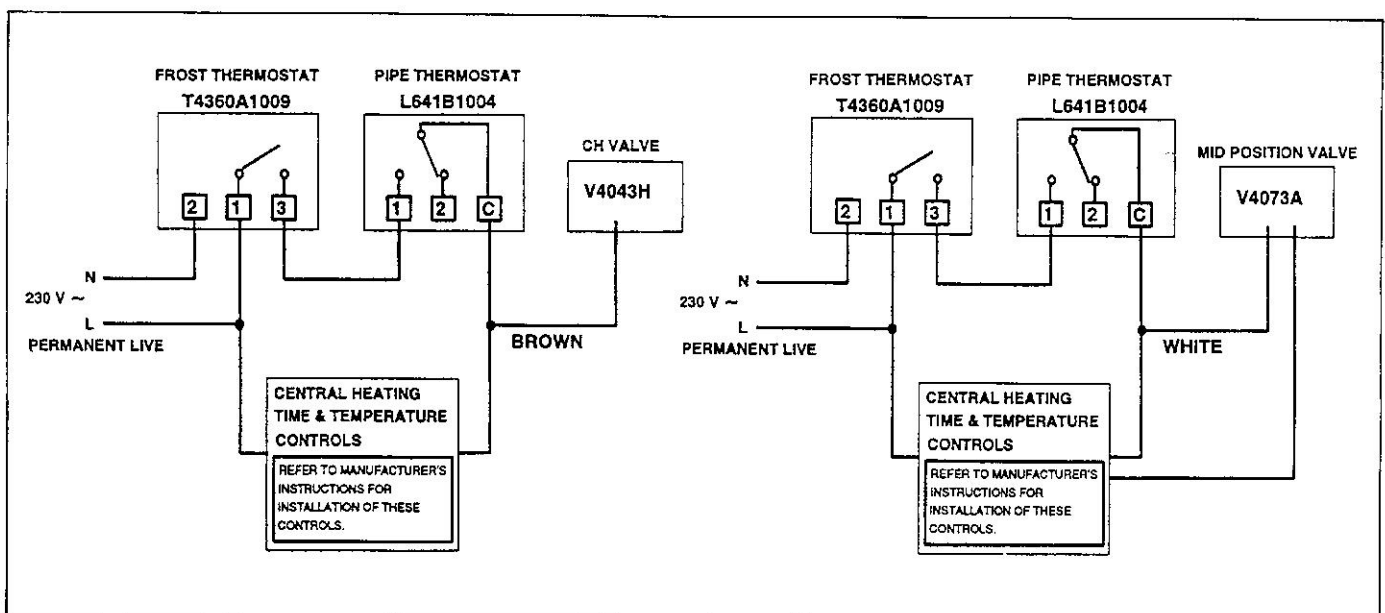
The frost protection system must be wired to override all other time and temperature controls, and preferably to switch on the heating circuit rather than the hot water circuit. When a frost thermostat is installed on a central heating system, the Fused Spur should only be switched off for servicing or maintenance. If the system is to be switched off for any other reason e.g. holiday, then switching MUST only be carried out at the Programmer or Time Clock.

WIRING REGULATIONS

- All wiring must be in accordance with I.E.E. Regulations.
- The T4360A1009 Frost Thermostat is for fixed wiring only.
- The L641B1004 Pipe Thermostat should be wired with heat resisting flexible cable rated at 85°C.
- A Class 'A' switch (having contact separation of at least 3mm in all poles) must be incorporated in the fixed wiring of the system as a means of disconnecting the mains electrical supply.
- The heating system must be appropriately fused, with a fuse rating of no higher than 3 amps.
- Both T4360A1009 and L641B1004 are Class II (double insulated) devices requiring no earth connection. The T4360A1009 however, has an earth 'parking' terminal for external earth wiring continuity.
- The K42008628-001 Frost Protection system has an overall switch rating of 230 V~4(2)A.

WIRING SCHEMATICS

The wiring schematics shown illustrate the connections required when using the Frost Protection system in combination with either a V4043H zone-valve or V4073A mid-position valve controlling the heating circuit.



Installation of L641B1004

| | | |
|---|--|--|
| <p>1 Mounting Diagram</p> <p>Recommended location for the L641 thermostat on the pipe is as near the unit to be protected as possible.</p> | <p>2 Cover Removal</p> <p>Caution: Disconnect system Power supply before removing cover.</p> <p>Optional Tamper Proof Cover - see diagram 5</p> | |
| <p>3 Wiring to Terminals</p> | <p>4</p> <p>Temperature Setting</p> | <p>5</p> <p>Fitting Optional Tamper Proof Cover</p> |

Installation of T4360A1009

| | | |
|--|--|--------------------------------|
| <p>1 Cover removal</p> <p>Caution: Disconnect system power supply before removing cover</p> | <p>2 Wall box mounting</p> <p>Fixing holes spaced to suit BS4662</p> <p>Screws supplied</p> | <p>3 Surface wiring</p> |
| <p>4 Wiring to terminals</p> | <p>5 Frost protection setting</p> <p>5°C recommended (depending on system & location)</p> | <p>6 Completion</p> |

Whilst Honeywell takes all reasonably practicable steps to design and manufacture its products to comply with the requirement of the Health and Safety at Work Act 1974, all products must be properly used and Purchasers are reminded that their obligations under the Act are to ensure that the installation and operation of such products at a place of work should be safe and without risk to them.

Honeywell reserve the right at any time and without notice to change any product or any information contained in this publication.

The wiring diagrams and installation instructions in this publication are for guidance purposes on recognised standard systems only. Any application of this product not shown here, or deviation from these instructions, is neither recommended nor advised. Any such application or deviation must be referred to Honeywell for technical assistance.

Honeywell